



AIRFORMS

855-340-8244

airforms.biz

**2024 PRODUCT CATALOG
FAA-PMA AIRCRAFT PARTS**

ONLINE: WWW.AIRFORMS.BIZ EMAIL: INFO@AIRFORMS.BIZ

Airforms LLC
3650 W. Aviation Ave.
Wasilla, AK 99654 USA

2024 Product Catalog

AIRFORMS
(855)340-8244
airforms.biz

Airforms was founded in 1998 by pilots and mechanics. We are located in Wasilla, Alaska (southcentral area). We carry a large inventory of FAA PMA approved parts, maintaining an FAA accepted Quality Assurance System for production. We use CAD/CAM technology and CNC equipment. We ship worldwide, and can supply 8130-3 domestic or export forms for FAA PMA parts if requested.

We welcome your feedback! Airforms is open from 7 AM - 7 PM Central Standard Time (CST).

Airforms LLC
3650 W. Aviation Ave.
Wasilla, AK 99654 USA

Phone (855) 340-8244
Local Phone (907) 357-8244
Fax (907) 357-7244

Email: info@airforms.biz
Website: www.airforms.biz

Table of Contents

CASA 212 BRAKE DISC5
 CASA 212 BUSHINGS.....6
 CASA 212 NOSE GEAR FORK BOLT7
 CESSNA STEEL AXLE - SINGLE ENGINE MAIN GEAR.....8
 CESSNA TITANIUM AXLE - SINGLE ENGINE MAIN GEAR9
 CESSNA 207 CARGO DOOR STOP LATCH 10
 CESSNA 206/207/210 HEAT SHIELD 11
 CESSNA 208/208B OIL COOLER BAFFLE 12
 CESSNA 208/208B PRIMARY EXHAUST FLANGE 13
 CESSNA 208/208B CABIN HEATER VENTS 14
 CESSNA 208/208B TAIL TIE DOWN HANDLE 15
 CESSNA 208/208B TIE-DOWN TRIM PLATE 16
 CESSNA 208/208B CREW DOOR PANELS 17
 CESSNA 208/C208B TORQUE LINK REPAIR STC (PAGE 1 OF 4) 18
 CESSNA 208/C208B TORQUE LINK REPAIR STC (PAGE 2 OF 4) 19
 CESSNA 208/208B TORQUE LINK REPAIR PARTS (PAGE 3 OF 4) 20
 CESSNA 208/208B TORQUE LINK REPAIR STC TOOL KITS (PAGE 4 OF 4) 21
 CESSNA 208/208B TORQUE LINK..... 22
 CESSNA 208/208B HIGH STRENGTH WHEEL BOLT STC..... 23
 CESSNA 208/208B PASSENGER DOOR STEP 24
 CESSNA 208/208B DOOR HINGES..... 25
 CESSNA 208/208B CREW STEP LADDER..... 26
 GA8/GA8-TC AIRVAN CABIN TRIM..... 27
 GA8/GA8-TC AIRVAN GRAVEL DEFLECTORS..... 28
 HELIO H-295 HIGH STRENGTH AXLE 28
 HELIO H-295 HIGH STRENGTH STABILATOR BRACKETS 30
 PIPER PA-31 DOOR LATCH..... 31

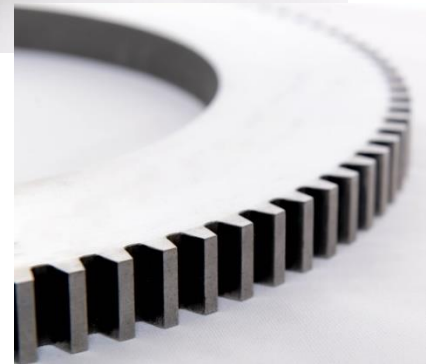
Engine Baffles

****ELIGIBILITY INDEX FOR BAFFLES**** 32
 BEECHCRAFT BARON 95-55, 95-A55, 95-B55 33
 CESSNA 120/140..... 34
 CESSNA 150 (1964-1970)..... 35
 CESSNA 150 (1971-1977)..... 36
 CESSNA 152 (1978-1982)..... 37
 CESSNA 152 (1983-1986)..... 38
 CESSNA 170A / B (1949 - 1952) 39
 CESSNA 170B (1953-1956) // C172 (1956-1958)..... 40
 CESSNA 172BC (1961-1962)..... 41
 CESSNA 172DEF (1963-1965)..... 42
 CESSNA 172GH (1966-1967)..... 43
 CESSNA 172IKLM (1968-1973) 44
 CESSNA 172M (1974-1976) 45
 CESSNA 172N (1977 - 1980) 46
 CESSNA 172P 47
 CESSNA 172R (1997-1998) 48
 CESSNA 172R (1999-2004) 49
 CESSNA 172RG (1979-1985) 50
 CESSNA 172S (1998-2004.5) 51
 CESSNA 177 (1968)..... 52
 CESSNA 177 (1973-1974) 53

CESSNA 177RGII (1975-1978)	54
CESSNA 180 (1956-1981) / 182 (1958-1973)	55
CESSNA 180 (1956-1981) / 182 (1958-1973) OIL COOLER BAFFLE OPTIONS	56
CESSNA 182 (1974-1986)	57
CESSNA 182 (1974-1986) OIL COOLER BAFFLE OPTIONS	58
CESSNA 182T (2004.5-2012)	59
CESSNA R182RGII (1978-1979)	60
CESSNA R182RGII (1981.5-1986)	61
CESSNA TR182RGII (1980)	62
CESSNA 185	63
CESSNA 185 OIL COOLER BAFFLE OPTIONS	64
CESSNA 206 (1964) // U206 (1965-1971.5)	65
CESSNA P206 (1965-1970)	66
CESSNA 207 (1969-1975)	67
CESSNA 206 (1964-1971.5) // 207 (1969-1975) OIL COOLER BAFFLE OPTIONS	68
CESSNA 206 (1974-1986)	69
CESSNA 210 (1970-1973)	70
CESSNA 210 (1976-1980)	71
CESSNA 402C, 414A	72
GRUMMAN AA-5A CHEETAH	73
GRUMMAN AA-5B TIGER	74
MOONEY M20J	75
PIPER PA-18-150	76
PIPER PA-22-150	77
PIPER PA-28-140 (1964 -1971.5)	78
PIPER PA-28-140 (1971.5 -1977)	79
PIPER PA-28-161	80
PIPER PA-28R-180 (1967-1971)	81
PIPER PA-28-180 (1965-1972.5)	82
PIPER PA-28-180 (1972.5-1975)	83
PIPER PA-28-181 ARCHER 2	84
PIPER PA-28-181 ARCHER 3	85
PIPER PA-28-181 ARCHER 3 FUEL INJECTED	86
PIPER PA-28R-200, PA-28R-201, PA28RT-201	87
PIPER PA-28-235	88
PIPER PA-28-236	89
PIPER PA-30 (1963-1968)	90
PIPER PA-30 (1969)	91
PIPER PA-31-310	92
PIPER PA-31-325	93
PIPER PA-31-350	94
PIPER PA-32-260 (1965-1978)	95
PIPER PA-32-300 (1973-1979)	96
PIPER PA-34-200T (1979-81)	97
PIPER PA-39 (1970-1972)	98
PIPER PA-44-180	99

CASA 212 BRAKE DISC

Part Number	Description	Eligibility
AF5004272	Brake Disc	All EADS CASA model 212-200 and 212-300



- FAA PMA Approved direct replacement for Meggitt P/N 5004272
- Airforms part is manufactured from identical material and is precisely machined to match original part performance
- Precision fit – drop in replacement for the original part

CASA 212 BUSHINGS

Part Number	Eligibility
AF212-46614-04-1	All CASA 212
AF212-14105-02.1	All CASA 212
AFCAN64067-6X10BP	All CASA 212
AFCAN64067-8X8BP	All CASA 212
AFCAN64068-8X5AP	All CASA 212
AFCAN64068-10X5AP	All CASA 212
AFCAN64068-10X6AP	All CASA 212
AFCAN64068-10X7B	All CASA 212
AFCAN64068-10X8AP	All CASA 212
AFCAN64068-10X12BP	All CASA 212
AFCAN64068-10X13BP	All CASA 212
AF212-42101-02-1	All CASA 212
AF212-42107-04-1	All CASA 212
AFCAN64068-12X14BP	All CASA 212
AFCAN64068-12X24BP	All CASA 212
AFCAN64068-14X10B	All CASA 212
AFCAN64068-14X14B	All CASA 212
AF212-41201-02-1	All CASA 212
AF212-41201-02-1-004	All CASA 212



- FAA PMA Approved, precision fit drop-in replacements for original parts
- Airforms' bushings are machined from a nickel bronze alloy for high durability and long life

CASA 212 NOSE GEAR FORK BOLT

Part Number	Description	Eligibility
AF212-42001-06-3	CASA 212 Nose Gear Fork Bolt	CASA 212-CB thru CF, 212-DE, 212-DF



- FAA PMA Approved replacement for OEM Part Numbers 212-42001-06-1 & 212-42001-06-3
- Precision Machined for Superior Fit
- A Fraction of the Cost of OEM Replacements

CESSNA STEEL AXLE - SINGLE ENGINE MAIN GEAR

Part Number	Description	Eligibility
AF1441003-1	Cessna Steel Axle	Cessna 170, 172, 175, 180, 182, 185, 205, 206, 210 and L-19 (305) with spring steel gear



- FAA PMA Approved replacement for Cessna parts 0541124, 0541124-1, and 1441003-1
- Enhanced structural margin when operating with large tires or skis
- High strength steel and machined from a single billet
- Precision fit – drop in replacement for the original part
- Cadmium plated for increased durability
- Long and successful service history

CESSNA TITANIUM AXLE - SINGLE ENGINE MAIN GEAR

Part Number	Description	Eligibility
AF1441003-1T	Cessna Titanium Axle	Cessna 170, 172, 175, 180, 182, 185, 205, 206, 210 and L-19 (305) with flat spring gear



- FAA PMA Approved replacement for Cessna parts 0541124, 0541124-1, and 1441003-1
- Adds strength and reduces weight by 2 pounds per pair over steel axles
- Enhanced structural margin when operating with large tires or skis
- Precision fit – direct replacement for the original part
- Will not rust

CESSNA 207 CARGO DOOR STOP LATCH

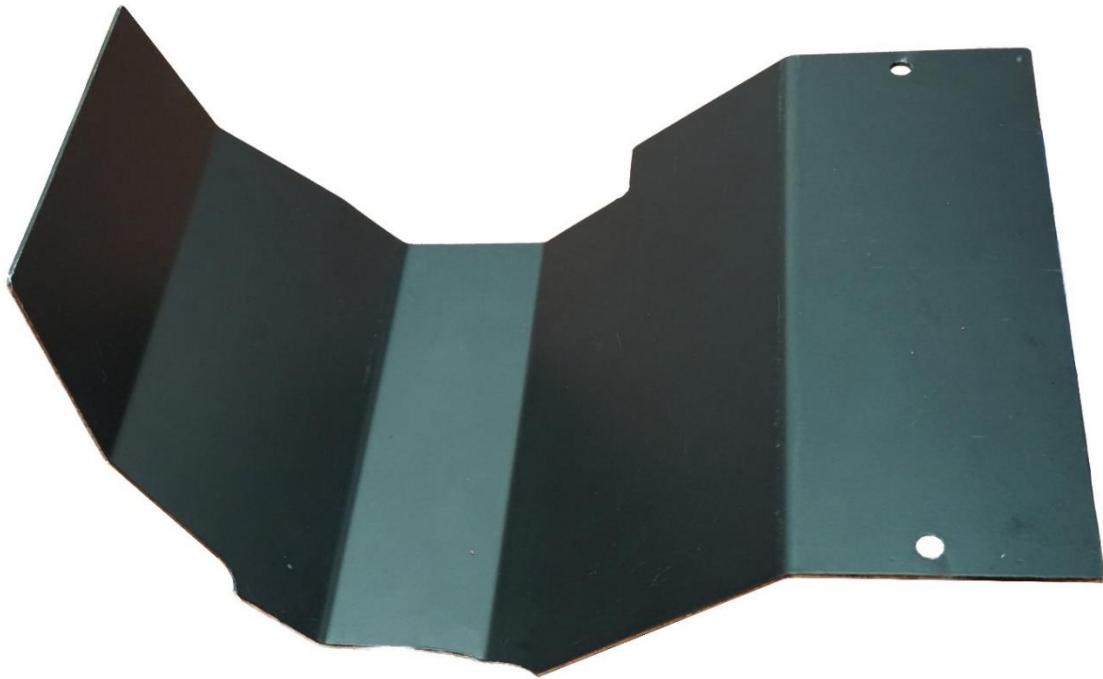
Part #	Description	Eligibility
AF1213922-1	Cargo Door Stop Latch	All C207, C207A, CT207, and CT207A



- Cargo door up latch for nose baggage compartment
- FAA PMA Approved direct replacement for Cessna P/N 1213922-1
- Improved strength
- Nickel plated for long service life with less corrosion
- Precision fit – drop in replacement for the original part
- No more holding up the door while loading!
- Ready for installation

CESSNA 206/207/210 HEAT SHIELD

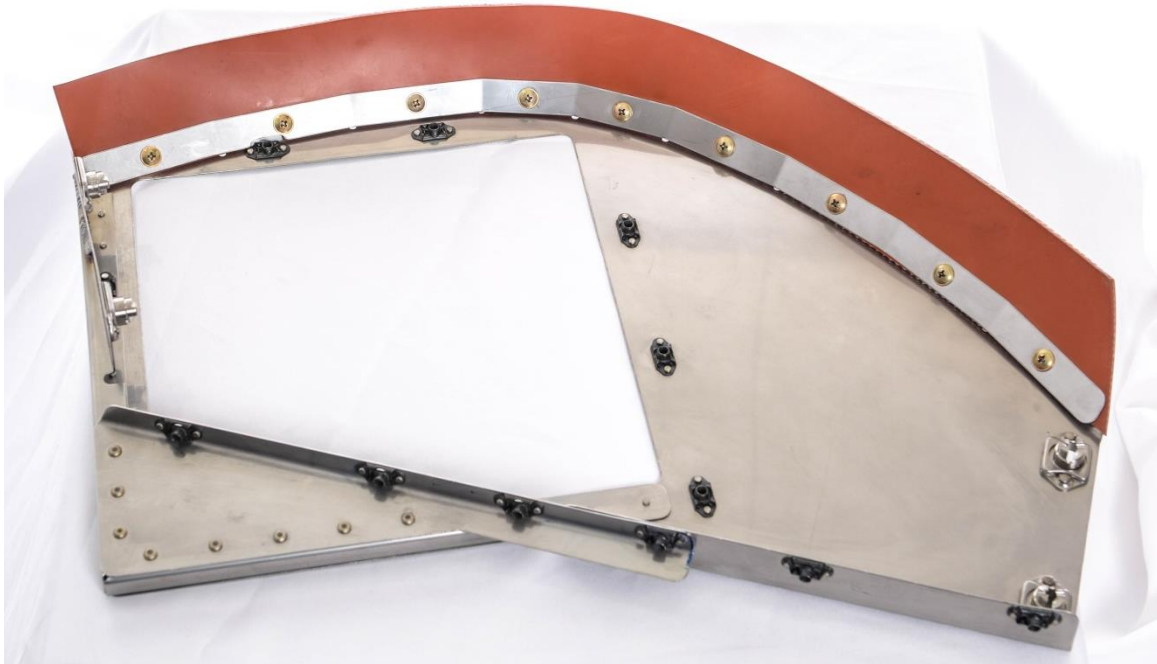
Part #	Description	Eligibility
AF1250918-2	Engine Mount Heat Shield	Cessna 206/207/210



- FAA PMA Approved drop in replacement for Cessna P/N 1250918-2
- Aluminum construction resists heat absorption
- Cerakote coating inhibits transfer of heat to engine mount isolators
- Protects engine mount isolators for long life

CESSNA 208/208B OIL COOLER BAFFLE

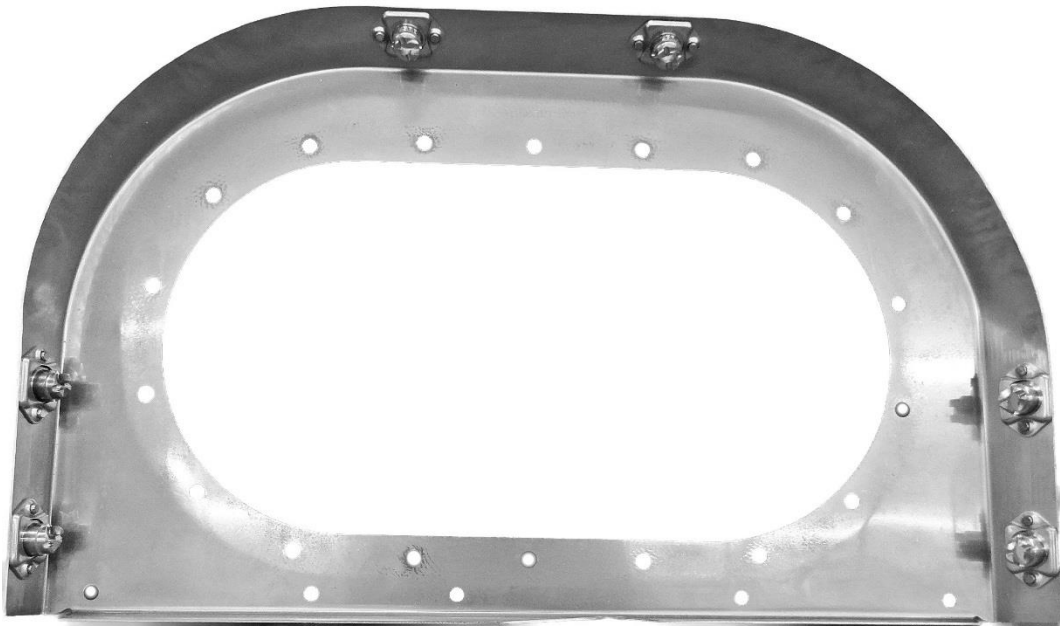
Part #	Description	Eligibility
AF2650098-5	Oil Cooler Baffle	All C208 & C208B with PT6-114A engine & large oil cooler



- FAA PMA Approved Direct Replacement for Cessna Part Numbers 2650098-4 and 2650098-5
- Reinforced design features increased thickness and strategically placed doubler additions resulting in extended service life.
- Replaceable low-cost seal for hassle free maintenance
- Precision Fit for a seamless drop-in replacement
- Unmatched quality and value

CESSNA 208/208B PRIMARY EXHAUST FLANGE

Part #	Description	Eligibility
AF2654006-10	Exhaust Flange Assembly	All C208 & C208B with -114 & -114A engines



- FAA PMA Approved direct replacement for Cessna P/N 2654006-10
- Flange is formed from durable stainless steel, features a wide notch for improved clearance, and the removal of one fastener. These changes reduce the stress concentration during operations
- Precision fit – drop in replacement for the original part

CESSNA 208/208B CABIN HEATER VENTS

Part #	Description	C208 Eligibility	C208B Eligibility
AF2615111-1	LH FWD Center	S/N 0001 - 0312	S/N 0214 - 0765
AF2615111-2	RH FWD Center	S/N 0001 & on	S/N 0214 - 0765
AF2615111-3	LH AFT	S/N 0001 & on	S/N 0214 & on
AF2615111-4	RH AFT	S/N 0001 & on	S/N 0214 & on
AF2615111-25	LH FWD AFT	n/a	S/N 0214 & on
AF2615111-28	RH FWD AFT	n/a	S/N 0214 & on
AF2615111-31	LH FWD	n/a	S/N 0214 & on
AF2615111-36	RH FWD	n/a	S/N 0214 & on
AF2615111-45	LH FWD Center	S/N 0313 & on	S/N 0766 & on



- FAA PMA approved replacement for Cessna part numbers
- Reinforced design for longer life. Powder coated, metal endcaps compared to plastic OEM endcaps
- Precision fit – drop in replacement for the original part

CESSNA 208/208B TAIL TIE DOWN HANDLE

Part #	Description	Eligibility
AF2612035-1	Tail Tie Down Handle	All C208 & C208B



- FAA PMA approved replacement for Cessna part number 2612035-1
- Comes primed. Aircraft interface & tail stand interface unchanged - works with your existing tail stand
- Precision fit - drop in replacement for the original part

CESSNA 208/208B TIE-DOWN TRIM PLATE

Part #	Description	Eligibility
AF2615118-1	Cargo Tie Down Trim Plate	C208 & C208B Passenger aircraft



- FAA PMA Approved direct replacement for Cessna P/N 2615118-1
- Powder coated aluminum compared to plastic OEM part
- Airforms part will not shatter when impacted at low temperatures
- Precision fit – drop in replacement for the original part
- Aircraft interface unchanged

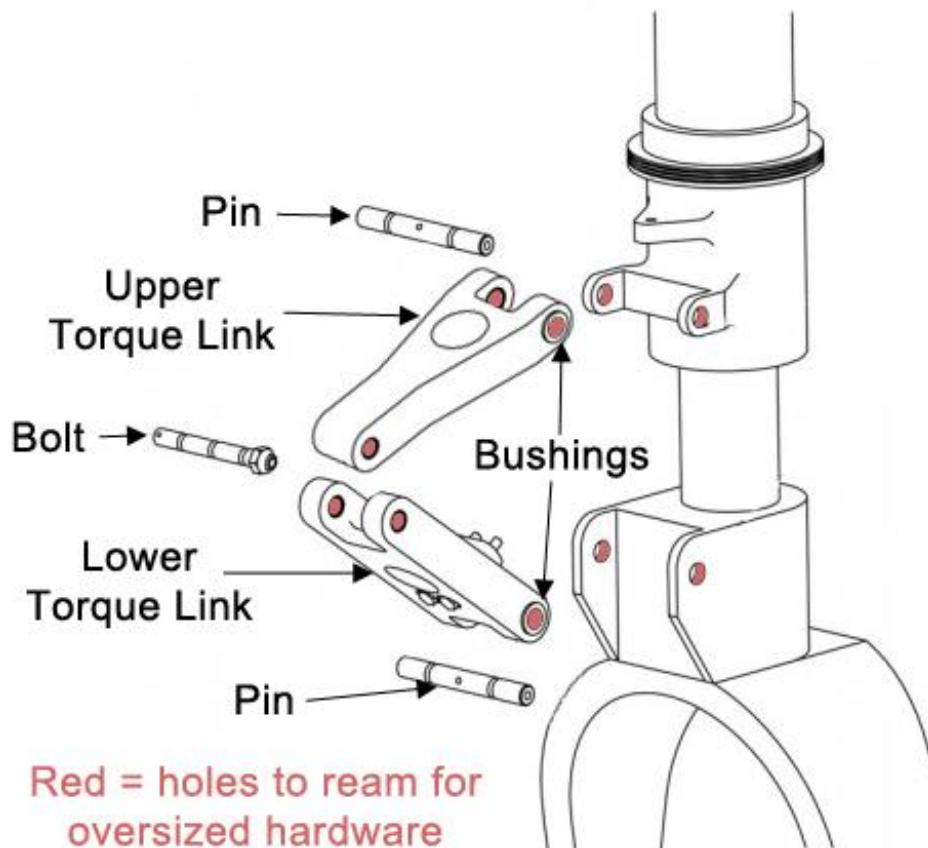
CESSNA 208/208B CREW DOOR PANELS

Part #	Description	Eligibility
AF2615180-1	LH Crew Door Panel	All C208 & 208B
AF2615180-2	RH Crew Door Panel	All C208 & 208B



- FAA PMA Approved direct replacement for Cessna P/N 2615180-1 and 2615180-2
- Identical to original Cessna part - matches color, includes retaining straps, fire extinguisher recess, large storage pocket, and certificate pouch
- Precision fit - drop in replacement for the original part
- Installation in aircraft unchanged

CESSNA 208/C208B TORQUE LINK REPAIR STC (Page 1 of 4)



Airforms designed this STC to help operators keep the nose gear linkage tight and shimmy-free. As the torque link joints loosen over time the nose gear is prone to shimmy, especially when operating the larger diameter nose wheel. This STC acknowledges the fact that wear is going to happen over the life of the gear, but by providing oversized pins and a carefully designed set of tools, wear can be removed incrementally to keep the nose gear operating like new. Other options for nose gear maintenance require that the entire nose gear be removed and sent off to be repaired by a repair station. This STC allows the gear to remain on the aircraft and the specialized tool kit allows the wear points to be reamed to exact sizes, even in the field. We've put a lot of thought into this and we truly hope that this STC will dramatically reduce the number of nose gear swaps you must accomplish to keep your Caravan operating.

CESSNA 208/C208B TORQUE LINK REPAIR STC (Page 2 of 4)

Some Highlights

What does the Airforms Torque Link Pin STC do for my 208/208B?

- Allows for the replacement of loose C208/208B Nose Gear torque link pins and bolts (Cessna Part Numbers 2643091-1 & 2643092-1)
- Allows for reaming of the torque links, bushings and aircraft attachment points, and installation of Airforms Part Numbers AF2643091-1 & AF2643092-1 in graduating oversizes to remove joint slop
- STC can be installed on aircraft without removing nose gear, including reaming operations with available specialty tool kit
- Torque links that were previously shelved for not meeting the maintenance manual limits can be evaluated and potentially put back into service
- **Huge potential for savings during the 40,000 cycle Nose Gear Life Limit**

What about the parts?

- Oversized FAA PMA'd pins & bolts available in .010, .020 and .030 oversizes
- Standard sized pins & bolts also available
- FAA or EASA approved STC sold separately
- Precision machined pins and bolts are Cad plated for long life

What else do I need to install?

- Tool kits available with piloted reamers for all 3 oversizes
- Shim washer installation to accommodate joint wear at center pivot

CESSNA 208/208B TORQUE LINK REPAIR PARTS (Page 3 of 4)

Part #	Description	Eligibility
AF2643085-200	Bushing - Standard	All C208 & 208B
AF2643091-1	Pin - Standard	All C208 & 208B
AF2643091-1010	Pin, 0.010 Oversized (STC req'd)	All C208 & 208B
AF2643091-1020	Pin, 0.020 Oversized (STC req'd)	All C208 & 208B
AF2643091-1030	Pin, 0.030 Oversized (STC req'd)	All C208 & 208B
AF2643092-1	Bolt - Standard	All C208 & 208B
AF2643092-1010	Bolt, 0.010 Oversized (STC req'd)	All C208 & 208B
AF2643092-1020	Bolt, 0.020 Oversized (STC req'd)	All C208 & 208B
AF2643092-1030	Bolt, 0.030 Oversized (STC req'd)	All C208 & 208B



- Torque Link Pins & Bolts available in standard size as well as .010, .020, .030 oversizes
- Pins, Bolts and Bushings are FAA PMA Approved
- Precision machined Pins and Bolts are Cad plated for long life
- STC and specialty reamer kits available separately
- Standard washers available to prevent lateral play

CESSNA 208/208B TORQUE LINK REPAIR STC TOOL KITS (Page 4 of 4)

Part #	Description	Eligibility
ReamerKit.010	0.010 Oversize pin reamer & bolt reamer, includes tap handle (STC req'd)	All C208/208B
ReamerKit.020	0.020 Oversize pin reamer & bolt reamer, includes tap handle (STC req'd)	All C208/208B
ReamerKit.030	0.030 Oversize pin reamer & bolt reamer, includes tap handle (STC req'd)	All C208/208B
ReamerKit-Master	0.010, 0.020 & 0.030 Oversize pin reamer & bolt reamers, includes tap handle (STC req'd)	All C208/208B



- For use with Airforms Torque Link Repair STC
- Specially designed Self-Piloting Reamers ensure reaming to exact sizes – even in the field
- Each kit contains a long and a short reamer and a ratcheting tap handle
- Kits available in .010, .020, .030 oversizes, or buy all 6 reamers and a tap handle in the master kit

CESSNA 208/208B TORQUE LINK

Part #	Description	Eligibility
AF2643084-1	Upper Torque Link	All C208 & C208B
AF2643084-2	Lower Torque Link	All C208 & C208B



- FAA PMA Approved direct replacement for Cessna P/Ns 2643084-1 and 2643084-2
- Airforms part provides one of the hardest aluminum surfaces to reduce wear
- Airforms part designed to prevent cracking in threaded grease fitting holes
- Precision fit – drop in replacement for the original part
- Ready for installation

CESSNA 208/208B HIGH STRENGTH WHEEL BOLT STC

Part #	Description	Eligibility
AFC-208BOLTKIT-STC.058	STC & Wheel Bolt Kit (for aircraft without brake spacers)	All C208 & C208B
AFC-208BOLTKIT-STC.060	STC & Wheel Bolt Kit (for aircraft with brake spacers)	All C208 & C208B
AFC-208BOLTKIT.058	Wheel Bolt Kit (for aircraft without brake spacers, STC req'd)	All C208 & C208B
AFC-208BOLTKIT.060	Wheel Bolt Kit (for aircraft with brake spacers, STC req'd)	All C208 & C208B
AFC-208BOLTKIT-STC-Only	STC Only	All C208 & C208B

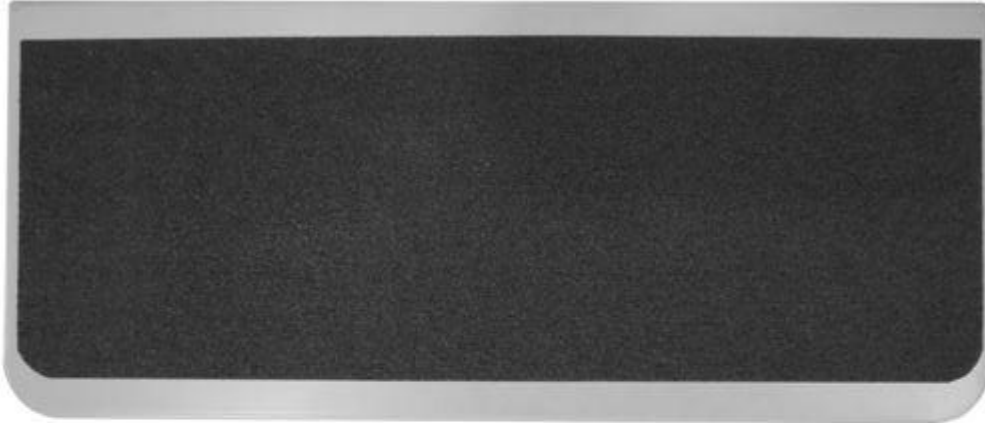
- Replaces AN5 wheel hardware with high strength mil-spec hardware
- Wheel bolt kit includes 18 high strength bolts, washers, and nuts (supplies one aircraft/two wheels)
- No changes to continued airworthiness requirements
- STC is FAA & EASA approved



CESSNA 208/208B PASSENGER DOOR STEP

Part #	Description	Eligibility
AF2617076-1	Passenger Door Step	All C208 & C208B

TOP VIEW



BOTTOM VIEW



- FAA PMA & STC Approved
- Direct replacement for upper, middle and lower step (2617076-10, -11, -1)
- Aluminum construction, powder coated to help prevent weathering & damage
- Withstands Significantly More Weight Than OEM Part
- Provides Longer Service Life Than OEM Steps
- Comes with Slip-Resistant Tape Installed
- Substantial Savings vs. OEM

CESSNA 208/208B DOOR HINGES

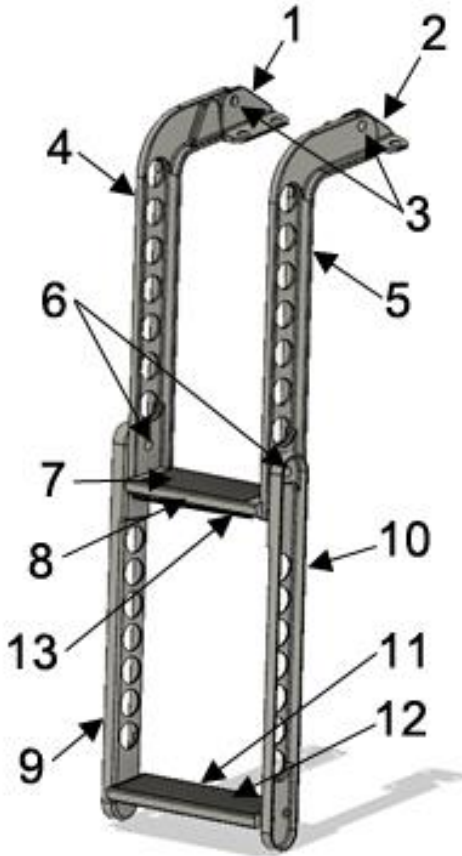
Eligibility: All Cessna 208/208B

Standard Hinge Part #	Bushed Hinge Part #
AF2617015-17	AF2617015-17B
AF2617015-18	AF2617015-18B
AF2617015-19	AF2617015-19B
AF2617015-20	AF2617015-20B
AF2617015-21	AF2617015-21B
AF2617015-22	AF2617015-22B
AF2617015-23	AF2617015-23B
AF2617015-24	AF2617015-24B
AF2617015-26	AF2617015-26B
Bushing Part #	
AF2617015-025 (short)	
AF2617015-049 (long)	



- Standard and bushed hinges are FAA PMA Approved replacements for OEM hinges
- Precision machined for superior fit, corrosion resistant finish for long life
- Bushed hinges allow for multiple repairs as bushings wear – OEM hinges only allow a single repair (Cessna Service Bulletin CAB96-2)
- FAA PMA Approved bushings also sold separately

CESSNA 208/208B CREW STEP LADDER

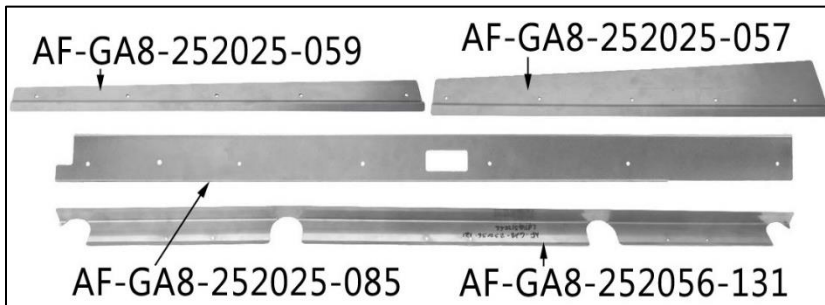
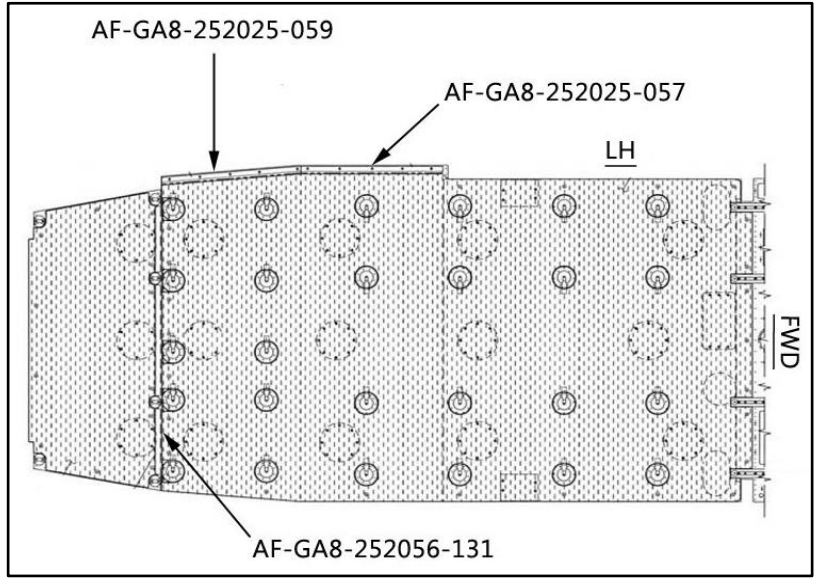
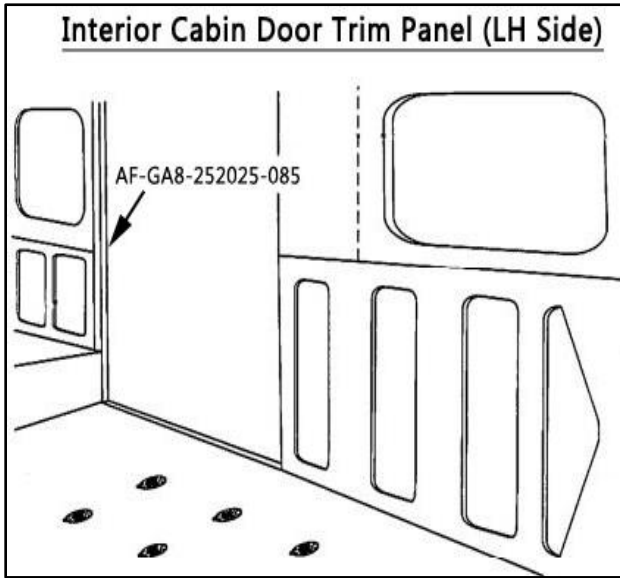


- FAA PMA Approved for most C208 & C208B/EX models
- Superior bushing material in upper and lower arm assemblies eliminates galvanic corrosion issues
- Each ladder assembly receives a complete primer coat finish to further reduce incidence of corrosion and simplify finish coat application
- A fraction of the cost of OEM replacements
- Precision machined for the finest fit and finish
- Approved Replacements for OEM Part Numbers 2606033-41 & 2606033-41-1
- Individual PMA Approved components are compatible with OEM components and are sold separately

Item	Part Number	Description	Eligibility
All	AF2606033-41-1	Complete Crew Step Ladder	All C208/208B
1	AF2606033-36	LH Bracket Assembly	All C208/208B
2	AF2606033-37	RH Bracket Assembly	All C208/208B
3	AF133-4P28	Bracket Spacers	All C208/208B
4	AF2606033-43	LH Upper Arm Assembly	All C208/208B
5	AF2606033-44	RH Upper Arm Assembly	All C208/208B
6	AF133-4P32	Arm Spacers	All C208/208B
7	AF2606033-15	Tread Only– Upper Step	S/N 0001-0308, B0001-B5425
8	AF2606033-12	Upper Step Assembly with Tread	S/N 0001-0308, B0001-B5425
9	AF2606033-2	LH Lower Arm Assembly	All C208/208B
10	AF2606033-4	RH Lower Arm Assembly	All C208/208B
11	AF2606033-10	Lower Step Assembly with Tread	S/N 0001-0308, B0001-B5425
12	AF2606033-14	Tread Only – Lower Step	S/N 0001-0308, B0001-B5425
13	AF2615055-1	Armrest	All C208/208B

GA8/GA8-TC AIRVAN CABIN TRIM

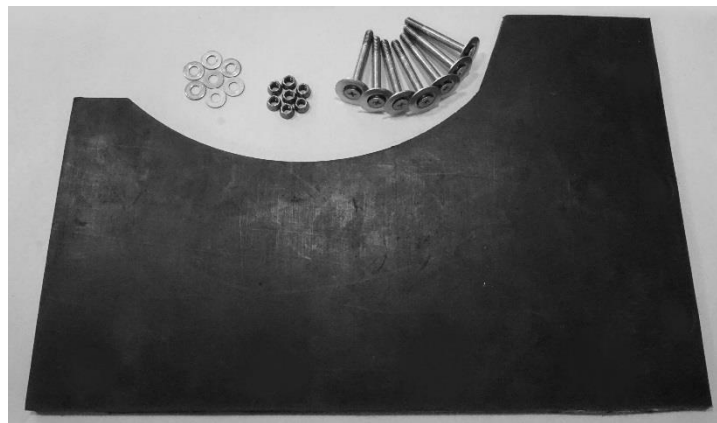
Part Number	Description	Eligibility
GA8-TK1	CABIN TRIM KIT (INCLUDES PARTS LISTED BELOW)	GA8/GA8-TC 320
AF-GA8-252025-057	FORWARD CARPET RETAINER	GA8/GA8-TC 320
AF-GA8-252025-059	AFT CARPET RETAINER	GA8/GA8-TC 320
AF-GA8-252025-085	AFT CABIN DOOR TRIM	GA8/GA8-TC 320
AF-GA8-252056-131	SHELF VINYL RETAINER	GA8/GA8-TC 320



- Manufactured from stainless steel to replace the OEM aluminum parts for long lasting quality
- Extended parts to add protection to necessary areas
- FAA PMA Approved

GA8/GA8-TC AIRVAN GRAVEL DEFLECTORS

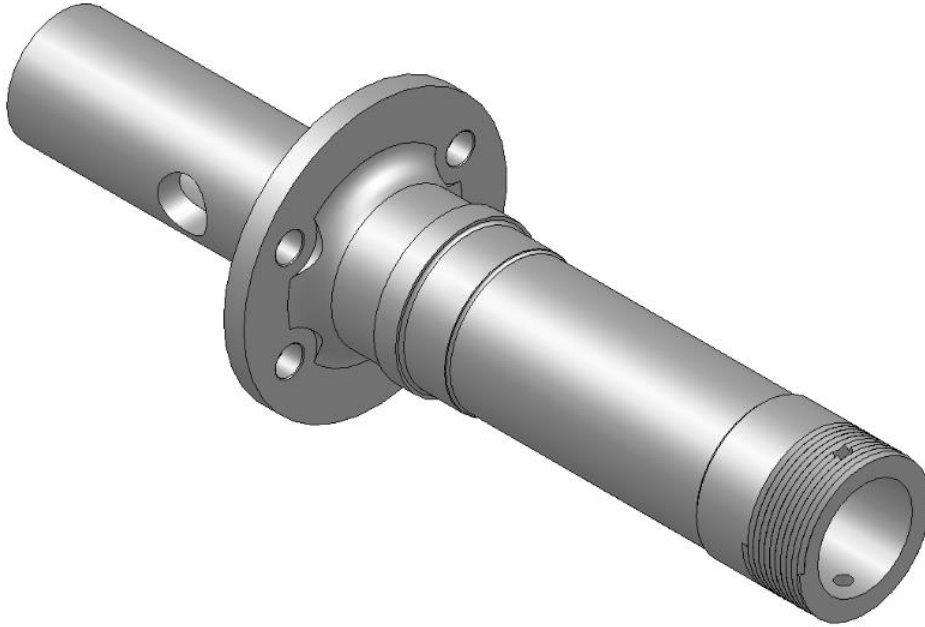
Part #	Description	Eligibility
AF32362-1	Gravel Deflector – LH Side	GA8/GA8-TC 320
AF32362-2	Gravel Deflector – RH Side	GA8/GA8-TC 320
AF32362-PAIR	Gravel Deflectors – LH & RH Side	GA8/GA8-TC 320



- Prevents “FOD” damage to empennage and lower fuselage
- High Strength Steel Frame for durability, powder coated to resist corrosion
- Mud flap is 2-ply nylon-reinforced rubber, attachment hardware included, no drilling required
- FAA PMA & STC Approved

HELIO H-295 HIGH STRENGTH AXLE

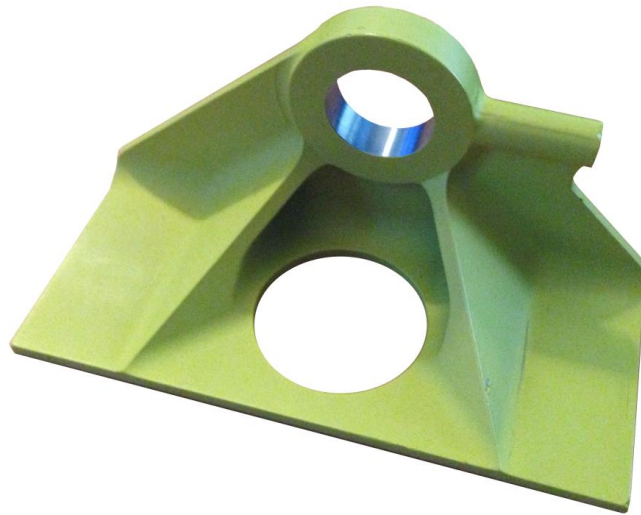
Part Number	Description	Eligibility
AF250-040-495	High Strength Axle	All Helio H-295 models



- FAA PMA Approved direct replacement for Helio P/N 250-040-495
- Airforms part is manufactured from high strength material and machined from a single billet – torque plate on original part was welded.
- Precision fit – drop in replacement for the original part
- Accommodates wheel-ski installation
- Cadmium plated for increased durability

HELIO H-295 HIGH STRENGTH STABILATOR BRACKETS

Part Number	Description	Eligibility
AF391-022-401-2	LH Bottom Hinge	All Helio H-295 models
AF391-022-401-3	RH Bottom Hinge	All Helio H-295 models



- Sold as a match-machined set
- FAA PMA Approved direct replacement for Helio P/N 391-022-401-2 and -3
- Airforms part is manufactured from high strength material and machined from a single billet - original part was of welded construction
- Precision fit – drop in replacement for the original part
- Mounting holes match drill at installation to ensure exact fit
- Cadmium plated and primed for increased durability

PIPER PA-31 DOOR LATCH

Part #	Description	Eligibility
AF472-004	Cabin Door Latch	All Piper models PA31-310, -325, & -350 with standard cabin door



- FAA PMA Approved direct replacement for Piper P/N 472-004 and 71188-02
- Airforms part is machined from solid stainless steel using a high precision wire EDM process
- Improved strength and serviceability compared to original part
- Precision fit – drop in replacement of original part
- Ready for installation

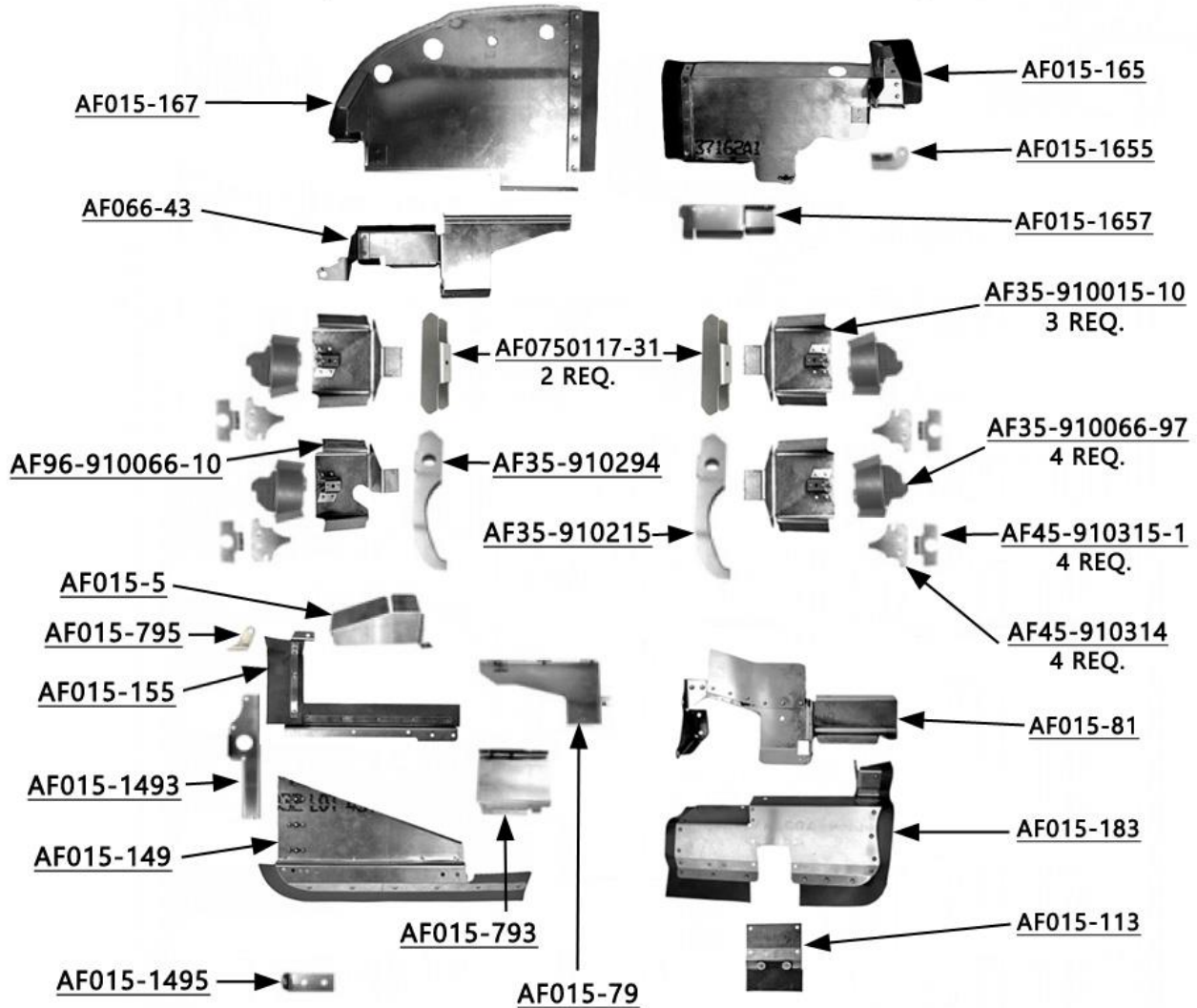
ELIGIBILITY INDEX FOR BAFFLES

CESSNA MODELS			PIPER MODELS		
Model	Years	Serial Number	Model	Years	Serial Number
C120	1946-49	8310 thru 15075 (limitations on '46)	PA18-150		18-3781 thru 09079, 09088, 09100, 09113
C140	1946-48	8001 thru 15075 (limitations on '46)	PA22-150		22-2425 thru 7630
C150	1964-77	150-60088 & on, A150-00227 & on, F150-00659 & on, A150-00082 & on	PA28-140	1964-77	28-20002 thru 26946, 28-7125001 & on (ends at 28-7725291)
C152	1978-86	152-79406 & on, A152-0735 & on F152-01429 & on, FA152-0337 & on	PA28-161		28-7716001 thru 8116176, 28-8316001 & on
C170AB	1949-56	18730 & on	PA28-180	1965-72.5	1761 thru 7205091
C172	1956-58	28000 thru 36965		1972.5-75	7205092 thru 7505259
C172BC	1961-62	17247747 thru 17249544	PA28R-180	1967-71	28R30004 thru 28R31270 28R7130001 thru 28R7130013
C172DEF	1963-65	17249545 thru 53392 F172-0001 thru 0179	PA28-181-2		8090001 & on (All Serial Numbers)
C172GH	1966-67	17253393 thru 17256512 F172-0180 thru F172-00804	PA28-181-3		28-43001 & on Excluding fuel injected engines
C172IKLM	1968-73	172-56513 thru 61898 F172-00805 thru 01034	PA28-181-3	Fuel Injected	Piper IPC Codes G, H, K, L, M, N, P, R & S See website for serial numbers
C172M	1974-76	172-61899 thru 67584 F172-01035 thru 01514	PA28R-200	1969-76	28R-7235001 thru 7635545
C172N	1977-80	172-67585 thru 74009 F172-01515 thru 02039	PA28R-201	1977 & on	28R-7737001 - Present
C172P		172-74010 thru 76673 F172-02040 & on	PA28RT-201	1979	28R-7918001 thru 7918306
C172R	1997-04	172-80001 thru 81233	PA28-235		28-10003 thru 7210033
C172S	1998-04.5	172S-8001 thru 9770	PA28-236		28-11001 thru 11050, 45001 & on, 28-7911001 thru 8611008
C172RG	1979-85	172RG-0001 thru 0817, 0891 thru 1191	PA30		30-542 thru 2000, excluding 30-1717
C177	1968	177-00001 thru 01164	PA31-310		31-2 thru 822031
C177	1973-74	177-01774 thru 02123	PA31-325		31-7512001 thru 8312019
C177RGII	1975-78	177RG-0593 thru 1366, 0491	PA31-350		31-7305001 thru 8553002
C180	1956-81	32151 thru 180-53203	PA32-260	1965-78	32-1 & on
C182	1958-73	34755 thru 182-62465	PA32-300		32-7240056 thru 7940290
	1974-86	182-62466 thru 68615 F182-00001 thru 00169	PA34-200T	1979-81	34-7970001 thru 34-8170085
C182T	2004.5-12	81318 & on (ends at 82358)	PA39		39-1 thru 155
CR182RGII	1978-79	R182-00001 thru -01313 FR182-00001 thru -00045	PA44-180		44-7995001 & on
	1981.5-86	R182-01789 thru -02041	BARON MODELS		
CTR182RGII	1980	R182-01314 thru -01628 FR182-00046 thru -00070	A55	1971-73	TC-1386 thru 1607
C185	1961-85	All Serial Numbers	B55	1974-76	TC-1608 thru 2002
C206	1964	206-0001 thru 0275	GRUMMAN MODELS		
CP206	1965-70	P206-0001 thru 00647	AA5A		All Serial Numbers
CU206	1965-71.5	206-0276 thru 01604, 01619 thru 01632	AA5B		All Serial Numbers
	1974-86	U206-02200 thru 07020	MOONEY MODELS		
C207	1969-75	206-00001 thru 00268	M20J		All Serial Numbers
C210	1970-73	59200 thru 60089			
	1976-80	61040 thru 64135			
C402C	1979-85	All Serial Numbers			
C414A	1978-85	All Serial Numbers			

FAA PMA ENGINE Baffles for Beechcraft Aircraft

Beechcraft Baron 95-55, 95-A55, 95-B55

Complete Baffle Sets & Seal Kits come with Cowling Seals



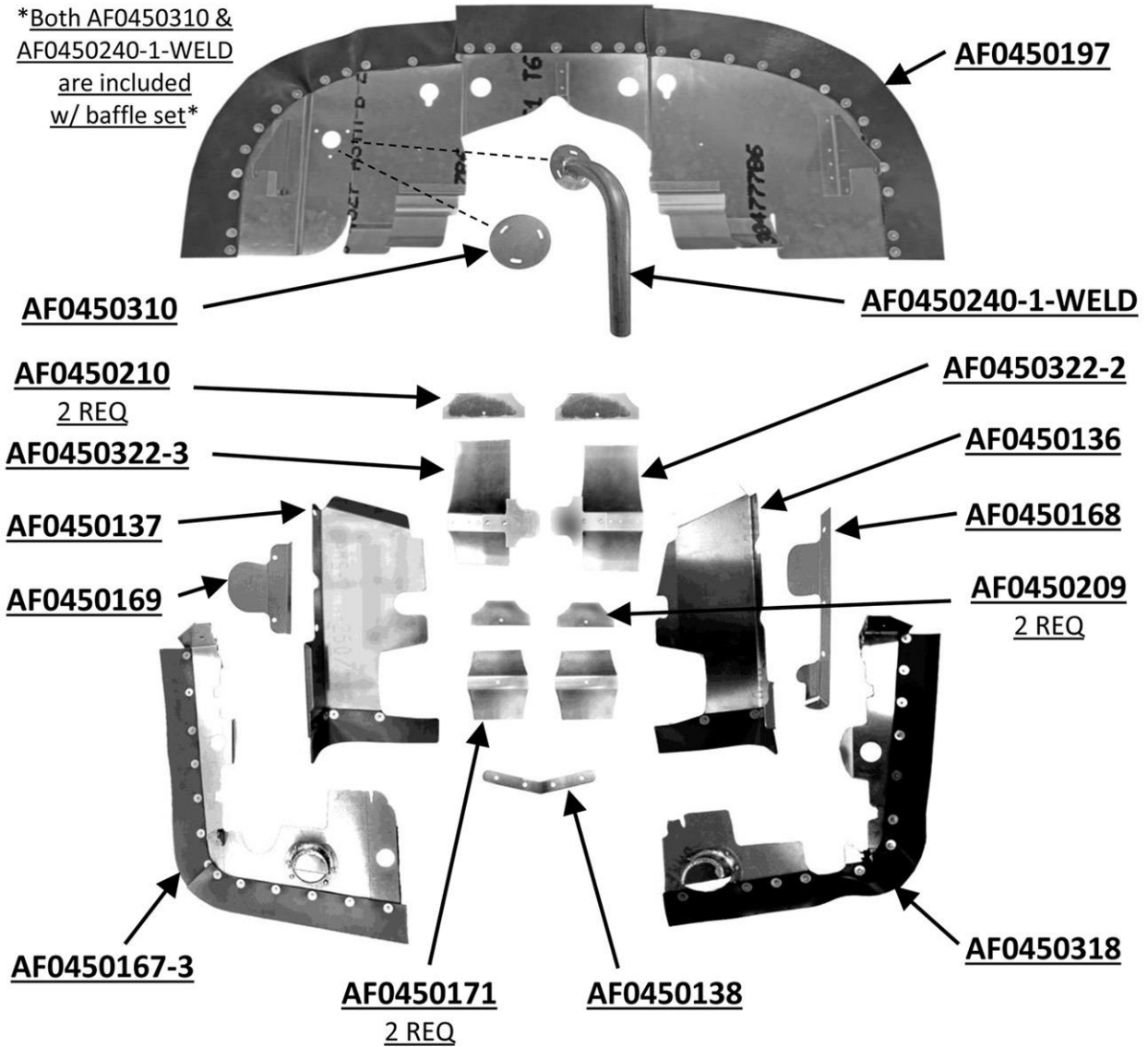
**ELIGIBILITY: A55 (1971-1973) S/N TC-1386 thru 1607
 B55 (1974-1976) S/N TC-1608 thru 2002**

Orange and blue seals are available at an additional cost

Kit Part Number	Description
B9555-BRBK	Baron B95-55, A55 & B55 Baffle Set - Bare Metal with Black Seal, Includes Cowling Seals
B9555-PCBK	Baron B95-55, A55 & B55 Baffle Set - Powder Coated with Black Seal, Includes Cowling Seals
SEALKIT-B9555-BK	Baron B95-55, A55 & B55 Black Seal Kit with Cowling Seals

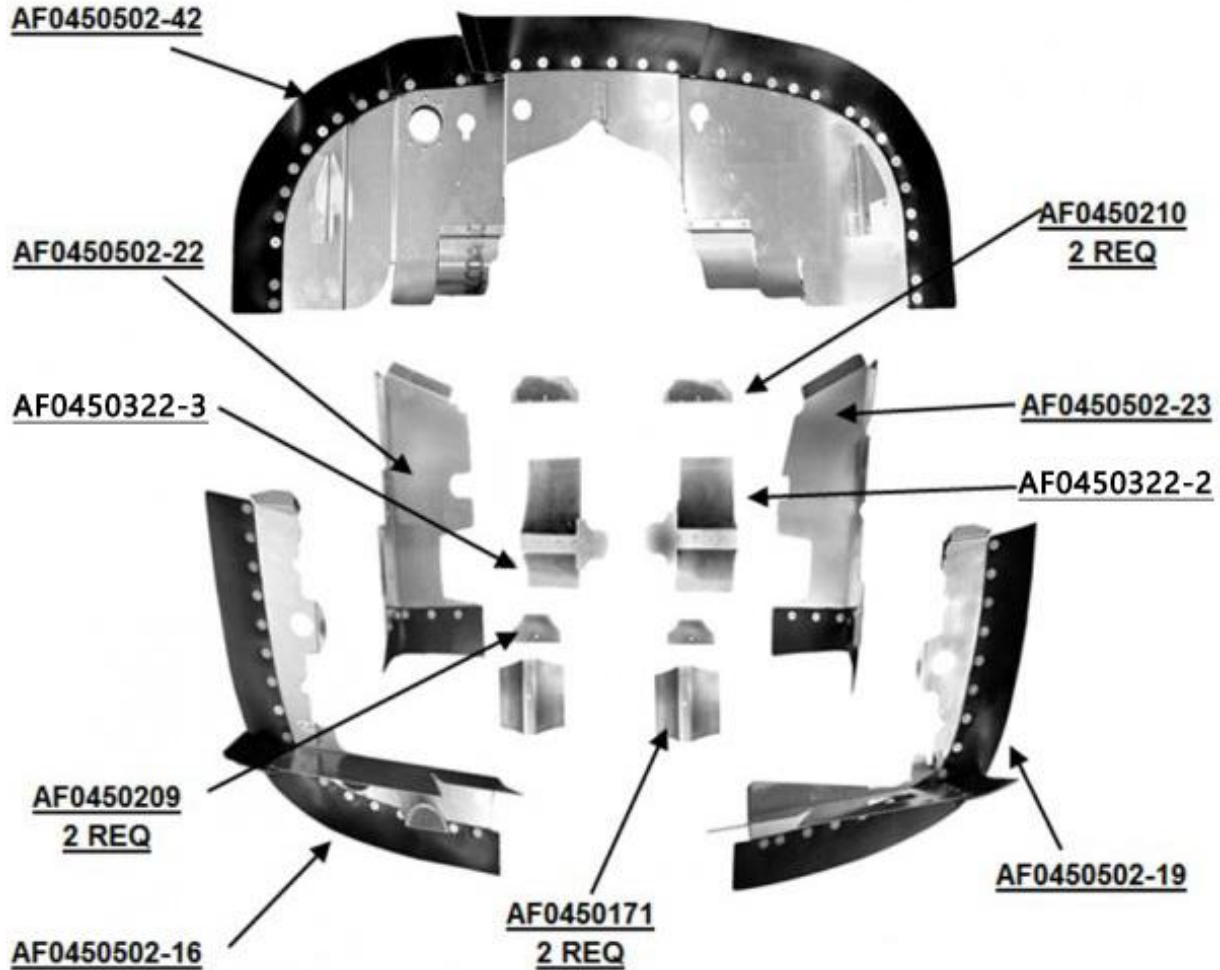
**FAA PMA ENGINE Baffles for CESSNA AIRCRAFT
 CESSNA 120/140**

*Both AF0450310 &
 AF0450240-1-WELD
 are included
 w/ baffle set*



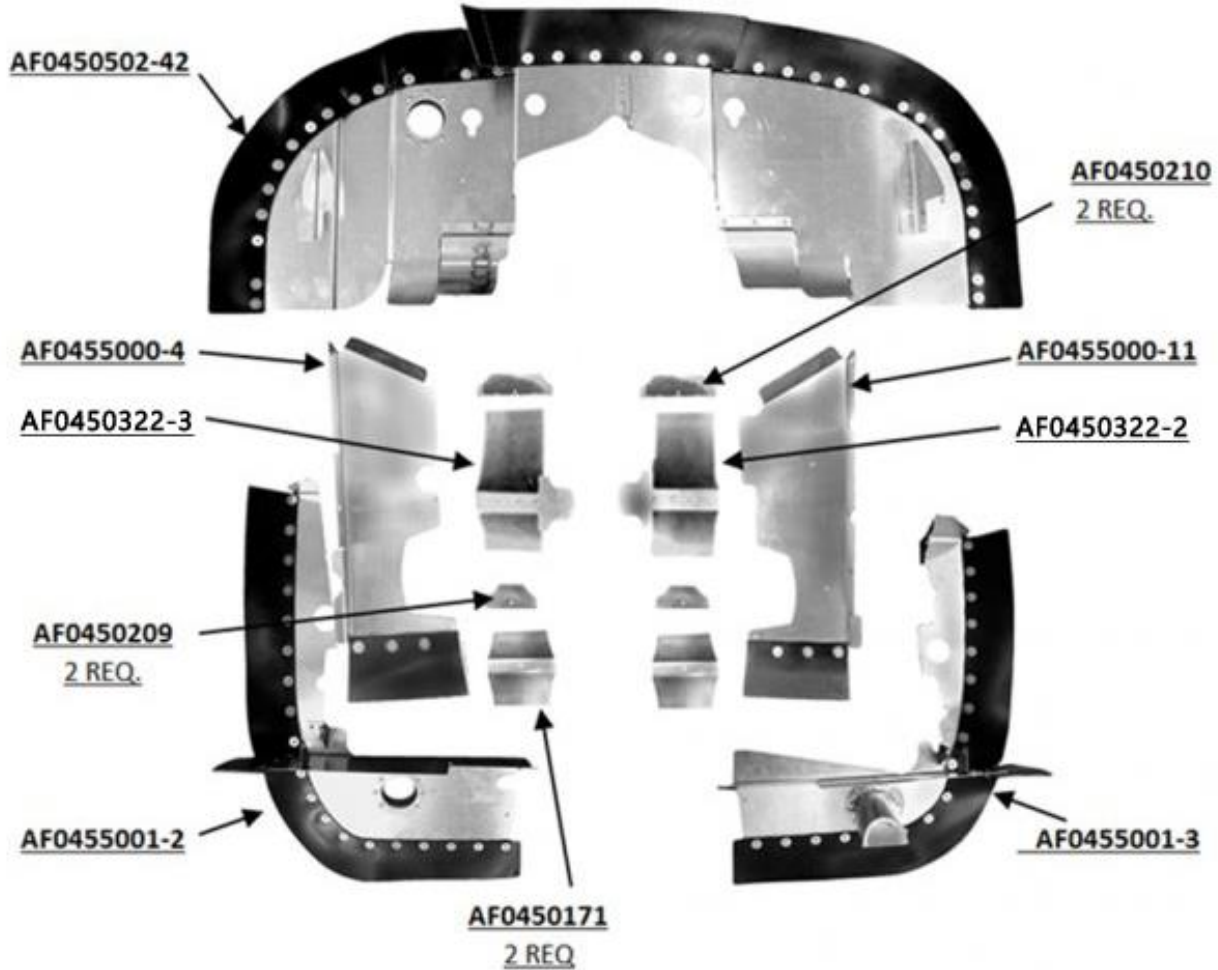
Eligibility: C-120 (1946-49) S/N 8310 thru 15075, C-140 (1946-48) S/N: 8001 thru 15075 (1946 C120/140: our forward baffles/part numbers are different than OEM, the rest of the set is eligible)	
Orange and blue seals are available at an additional cost	
Kit Part Number	Description
C120140-BRBK	C120/140 Baffle Set - Bare Metal with Black Seals
C120140-PCBK	C120/140 Baffle Set - Powder Coated with Black Seals
SEALKIT-C120140-BK	C120/140 Black Seal Kit

**FAA PMA ENGINE Baffles for CESSNA AIRCRAFT
 CESSNA 150 (1964-1970)**



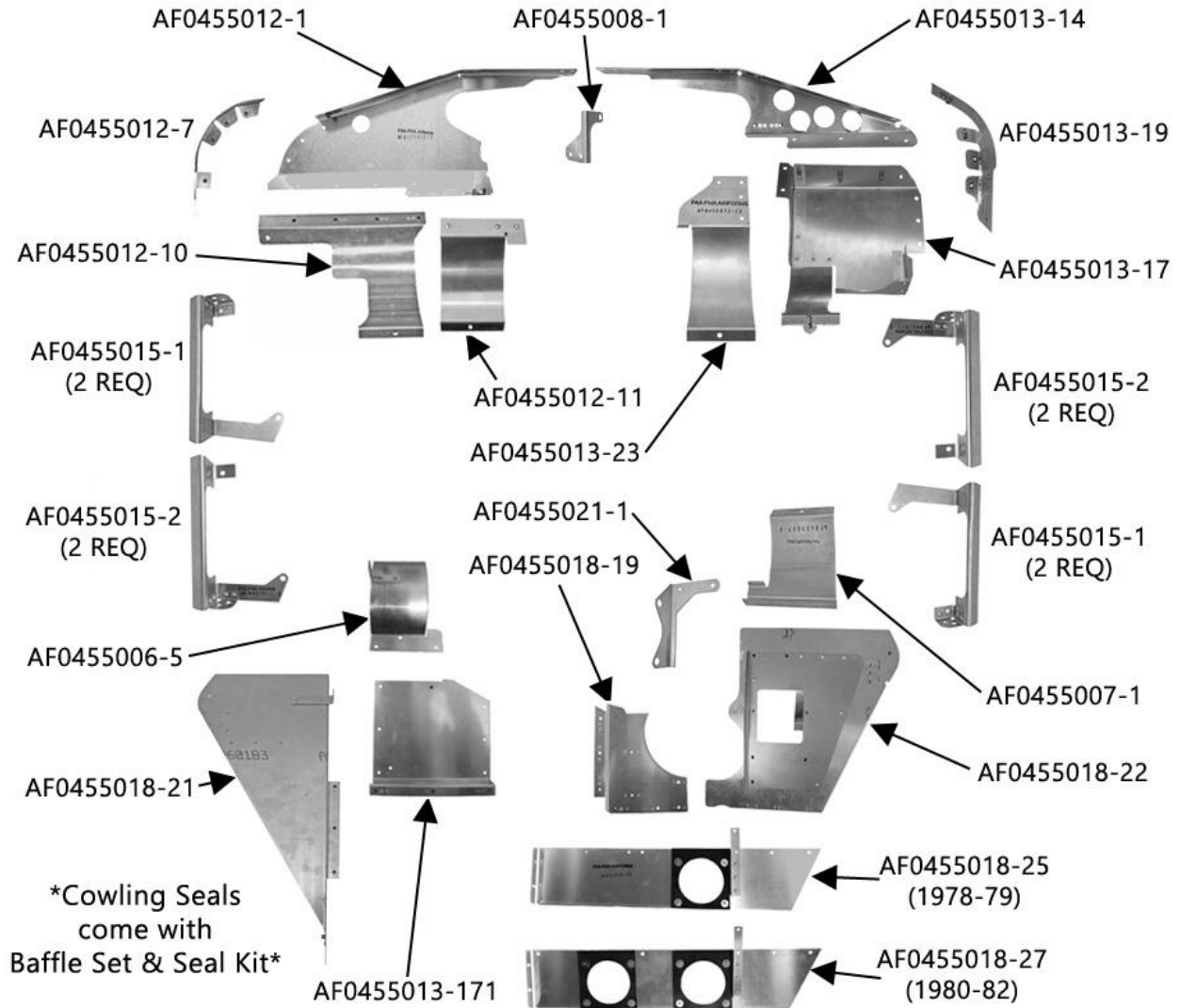
Eligibility: (1964-70) S/N 150-60088 thru 72003	
Orange and blue seals are available at an additional cost	
Kit Part Number	Description
C150-6470BRBK	C150 (1964-70) Baffle Set - Bare Metal with Black Seal
C150-6470PCBK	C150 (1964-70) Baffle Set - Powder Coated with Black Seal
SEALKIT-C150-6470-BK	C150 (1964-70) Black Seal Kit

**FAA PMA ENGINE Baffles for CESSNA AIRCRAFT
 CESSNA 150 (1971-1977)**



Eligibility: (1971-77) S/N 150-72004 & on, A150-00227 & on, F150-00659 & on, FA150-00082 & on	
Orange and blue seals are available at an additional cost	
Kit Part Number	Description
C150-7177BRBK	C150 (1971-77) Baffle Set - Bare Metal with Black Seal
C150-7177PCBK	C150 (1971-77) Baffle Set - Powder Coated with Black Seal
SEALKIT-C150-7177-BK	C150 (1971-77) Black Seal Kit

**FAA PMA ENGINE Baffles for CESSNA AIRCRAFT
 CESSNA 152 (1978-1982)**



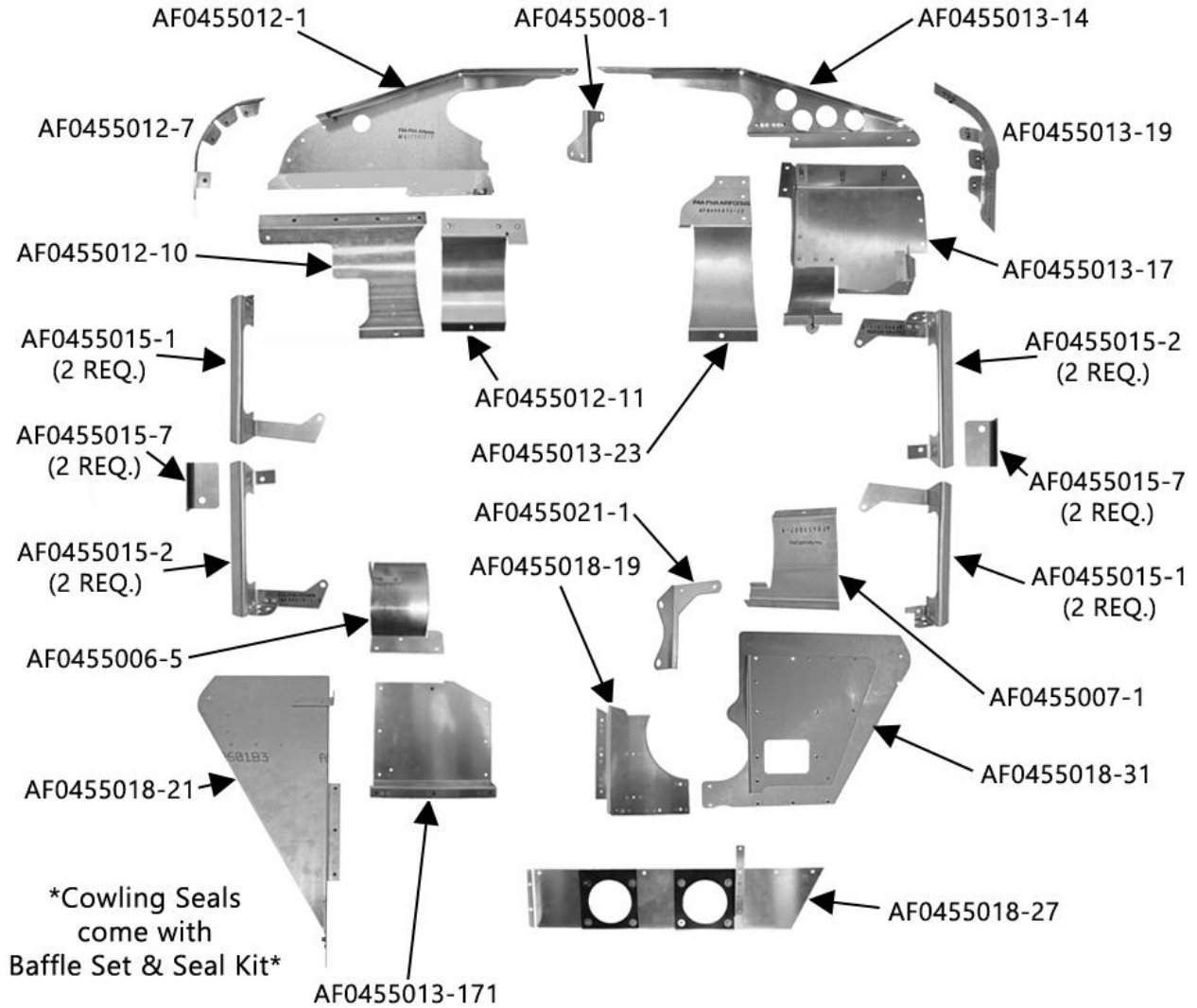
Eligibility: (1978-79) S/N 152-79406 - 83591, A152-0735 - 0878, F152-01429 - 01673, FA152-0337 - 0357

Eligibility: (1980-82) S/N 152-83592 - 85594, A152-0879 - 1014, F152-01674 - 01928, FA152-0358 - 0382

Orange and blue seals are available at an additional cost

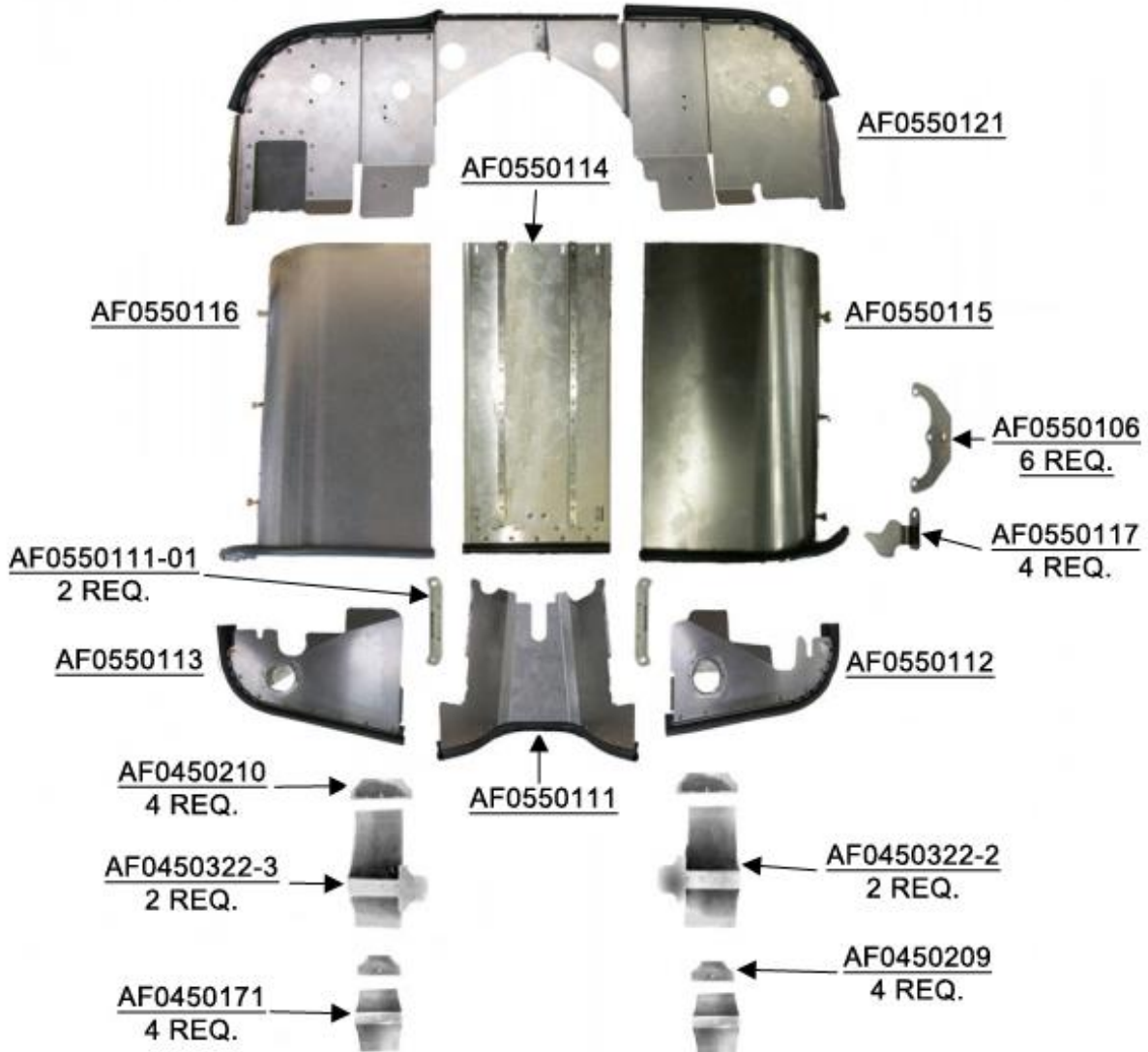
Kit Part Number	Description
C152-7879BRBK	C152 (1978-79) Baffle Set - Bare Metal with Black Seal, Includes Cowling Seals
C152-7879PCBK	C152 (1978-79) Baffle Set - Powder Coated with Black Seal, Includes Cowling Seals
SEALKIT-C152-7879-BK	C152 (1978-79) Black Seal Kit - Includes Cowling Seals
C152-8082BRBK	C152 (1980-82) Baffle Set - Bare Metal with Black Seal, Includes Cowling Seals
C152-8082PCBK	C152 (1980-82) Baffle Set - Powder Coated with Black Seal, Includes Cowling Seals
SEALKIT-C152-8082-BK	C152 (1980-82) Black Seal Kit - Includes Cowling Seals

**FAA PMA ENGINE Baffles for CESSNA AIRCRAFT
 CESSNA 152 (1983-1986)**



Eligibility: (1983-86) S/N 152-85595 & on, A152-1015 & on, F152-01929 & on, FA152-0383 & on	
Orange and blue seals are available at an additional cost	
Kit Part Number	Description
C152-8386BRBK	C152 (1983-86) Baffle Set - Bare Metal with Black Seal, Includes Cowling Seals
C152-8386PCBK	C152 (1983-86) Baffle Set - Powder Coated with Black Seal, Includes Cowling Seals
SEALKIT-C152-8386-BK	C152 (1983-86) Black Seal Kit - Includes Cowling Seals

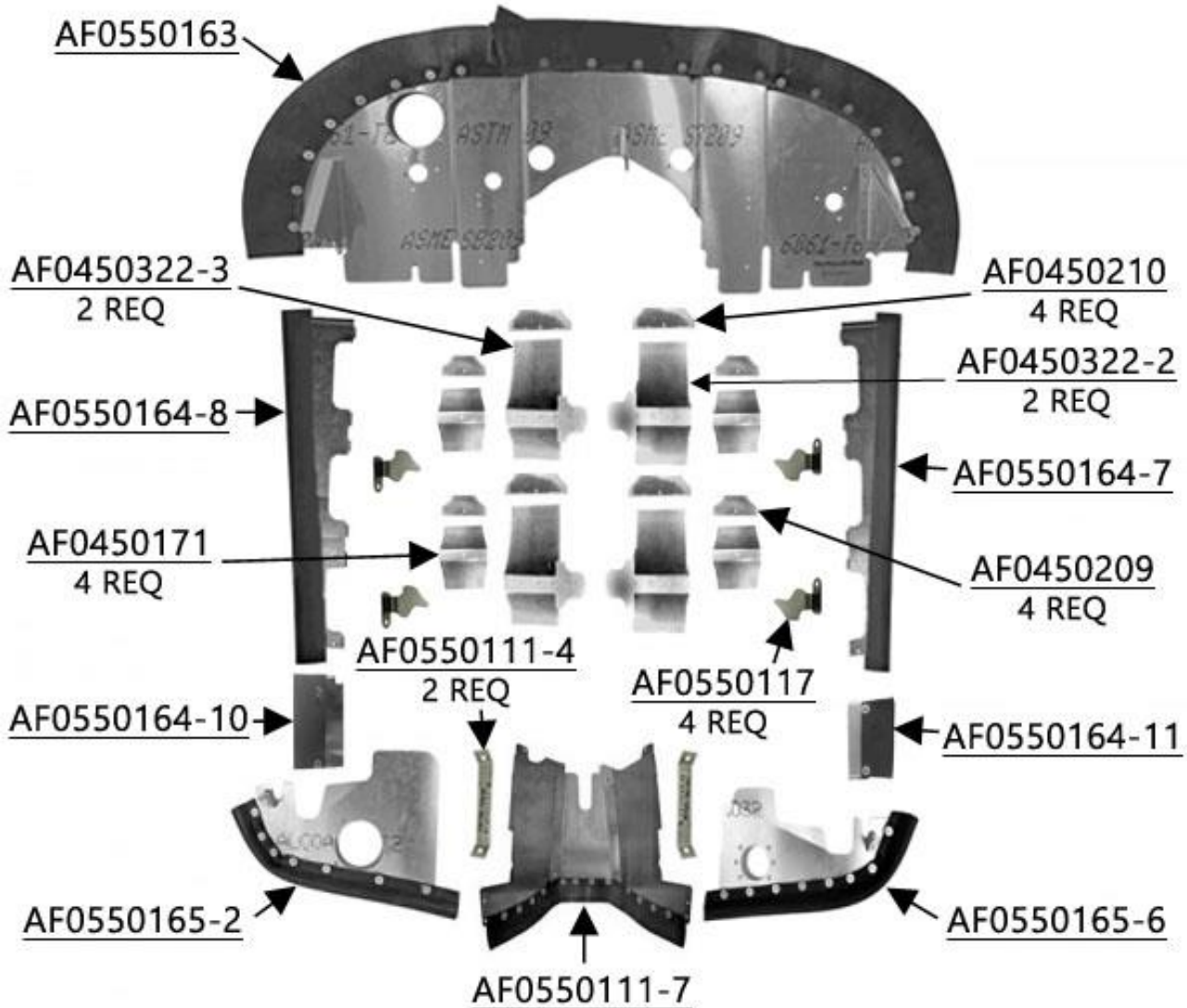
**FAA PMA ENGINE Baffles for CESSNA AIRCRAFT
 CESSNA 170A / B (1949 – 1952)**



Not all repetitive parts are shown

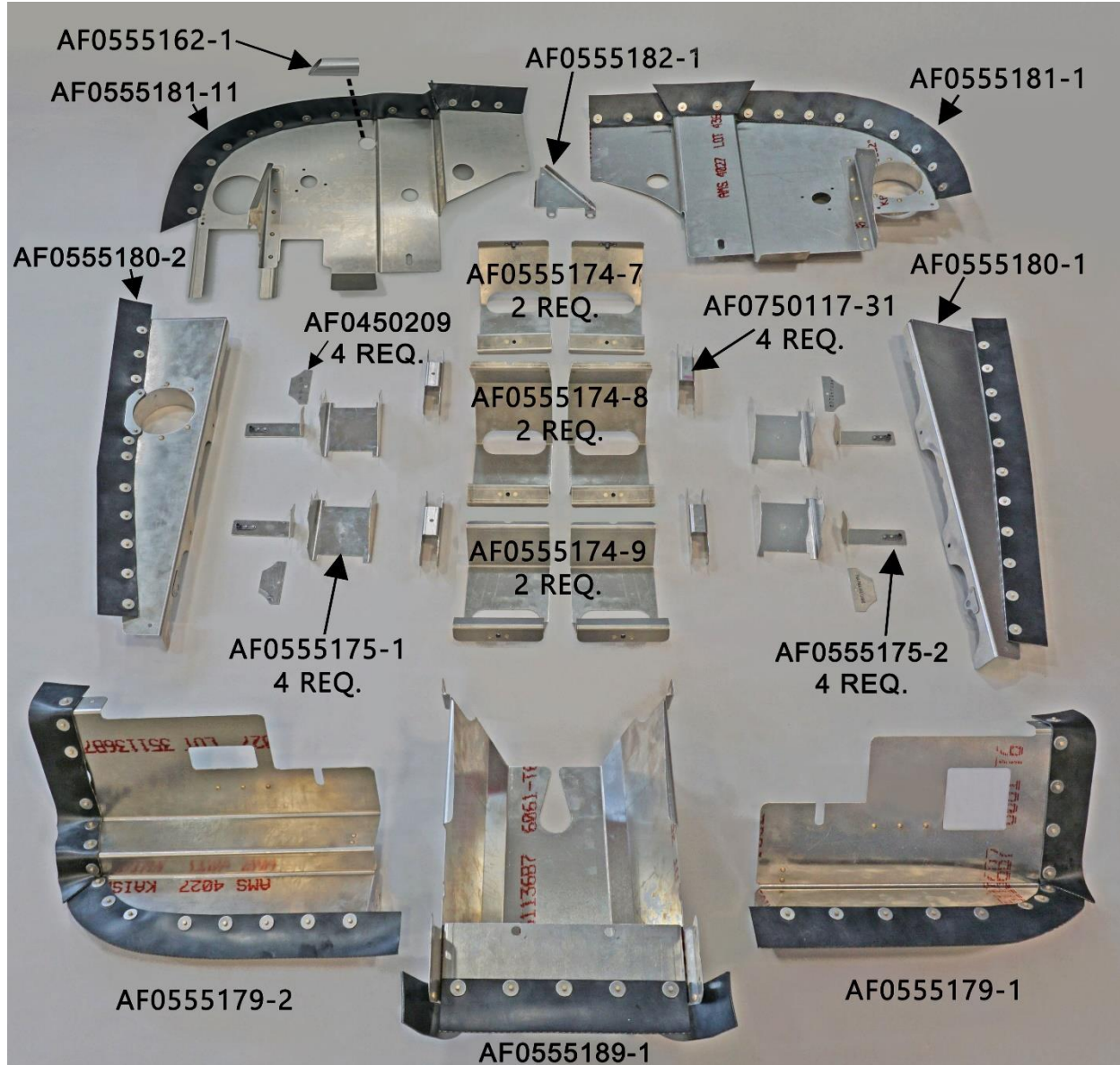
Eligibility: 170A S/N 18730 thru 20266, 170B S/N 20267 thru 25372	
Kit Part Number	Description
C170A-4952BRPS	C170A/B (1949-52) Baffle Set - Bare Metal with P-Seal
C170A-4952PCPS	C170A/B (1949-52) Powder Coated with P-Seal
SEALKIT-C170A-4952-PS	C170A/B (1949-52) P-Seal Kit (Black only)

**FAA PMA ENGINE Baffles for CESSNA AIRCRAFT
 CESSNA 170B (1953-1956) // C172 (1956-1958)**



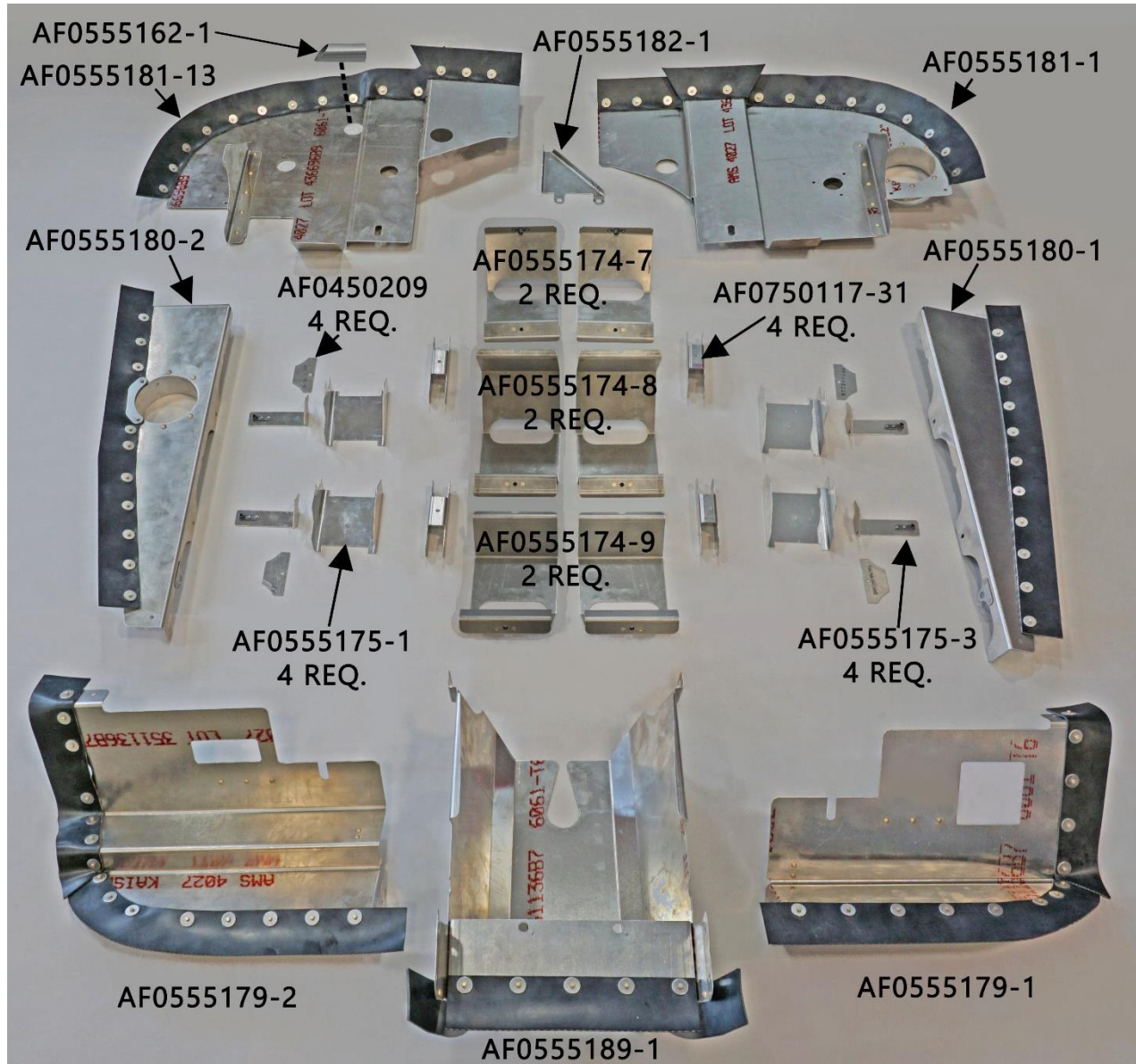
Eligibility: 170B (1953-56) S/N 25373 & on 172 (1956-58) S/N 28000 thru 36965	
Orange and blue seals are available at an additional cost	
Kit Part Number	Description
C170B172-BRBK	C170B (1953-56) & C172 (1956-58) Baffle Set - Bare Metal with Black Seal
C170B172-PCBK	C170B (1953-56) & C172 (1956-58) Baffle Set - Powder Coated with Black Seal
SEALKIT-C170B172-BK	C170B (1953-56) & C172 (1956-58) Black Seal Kit

**FAA PMA ENGINE Baffles for CESSNA AIRCRAFT
 CESSNA 172BC (1961-1962)**



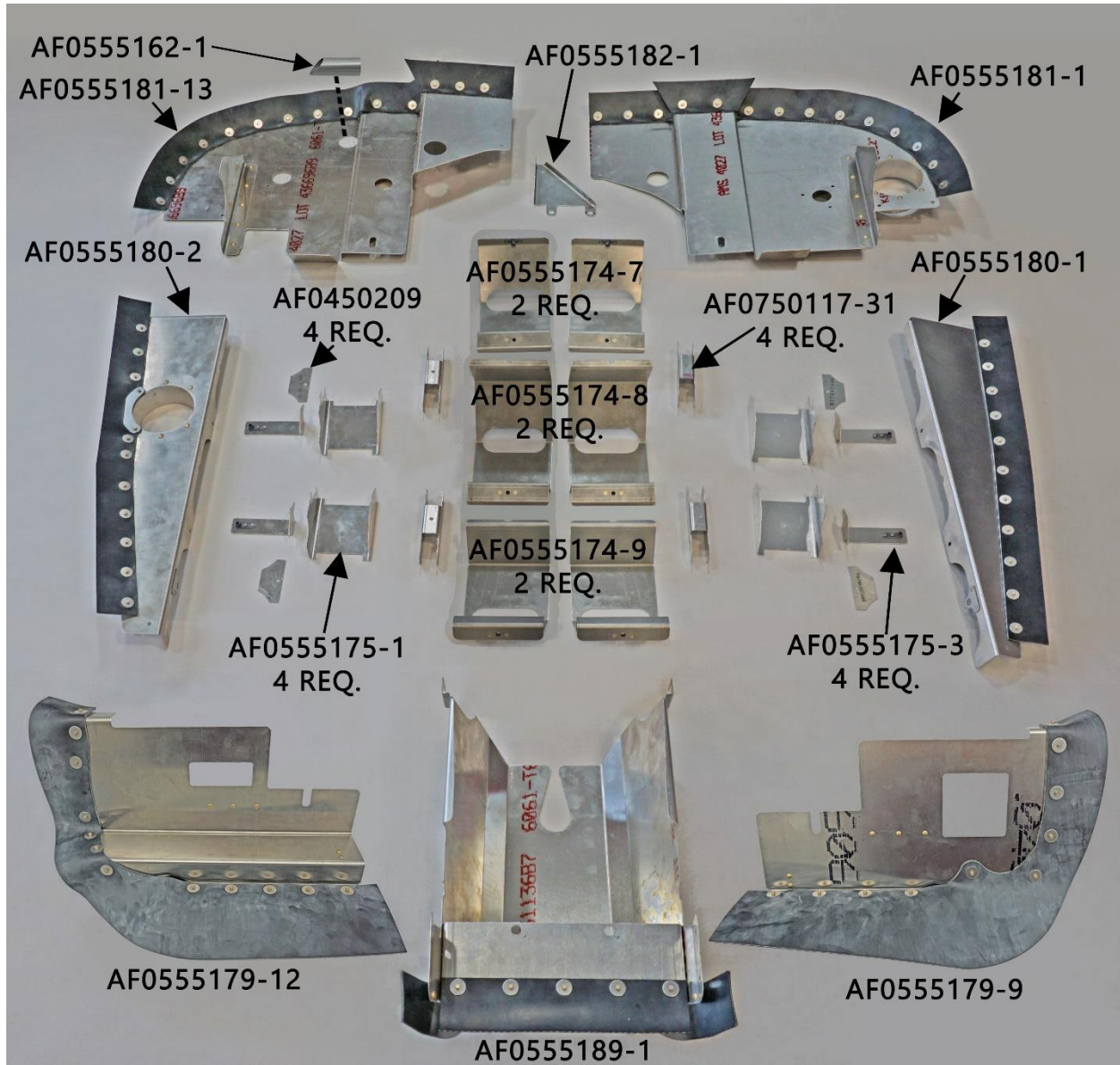
Eligibility: (1961-62) S/N 17247747 thru 17249544	
Orange and blue seals are available at an additional cost	
Kit Part Number	Description
C172BC-BRBK	C172BC (1961-62) Baffle Set - Bare Metal with Black Seal
C172BC-PCBK	C172BC (1961-62) Baffle Set - Powder Coated with Black Seal
SEALKIT-C172BC-BK	C172BC (1961-62) Black Seal Kit

**FAA PMA ENGINE Baffles for CESSNA AIRCRAFT
 CESSNA 172DEF (1963-1965)**



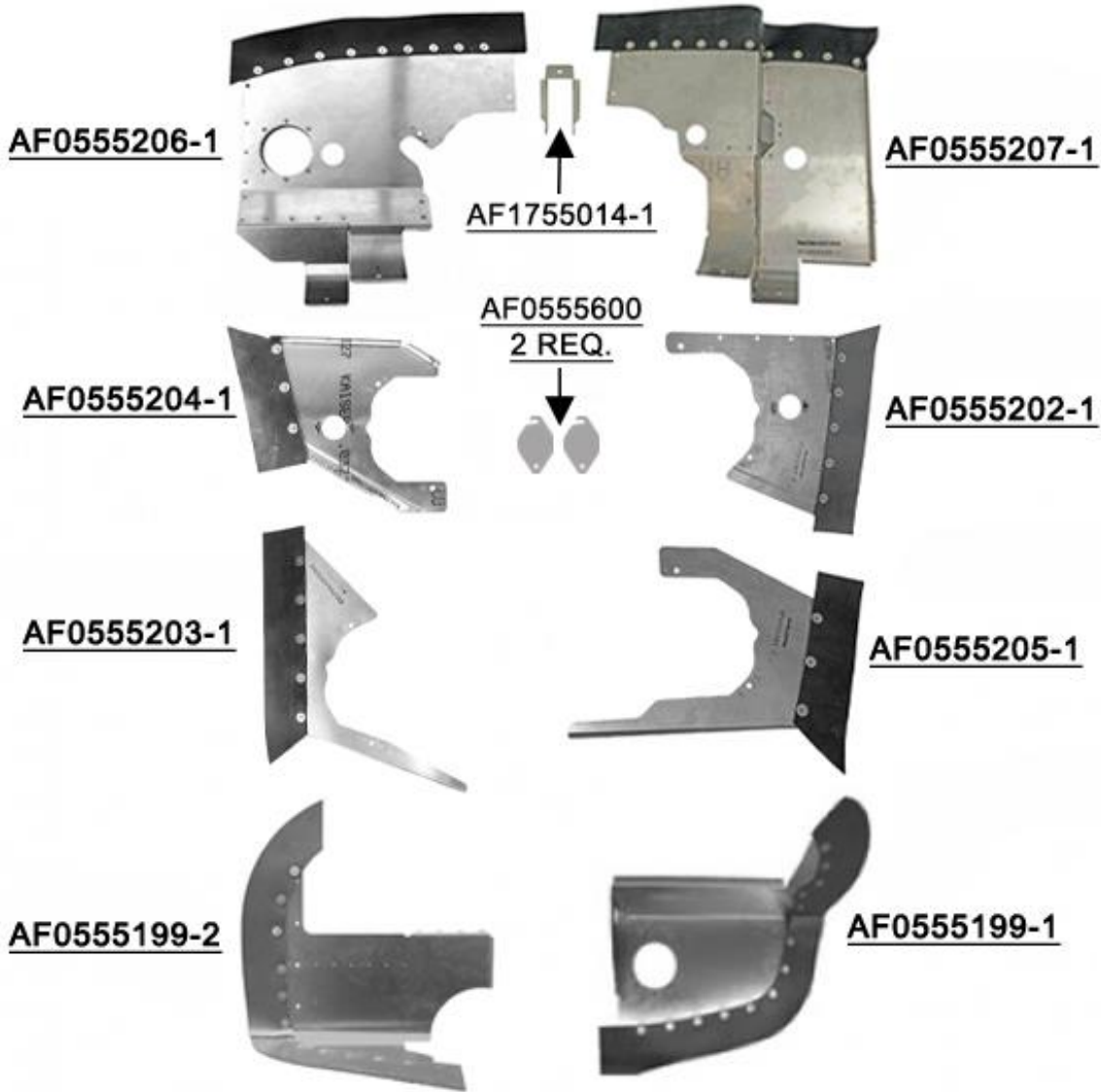
Eligibility: (1963-65) S/N 17249545 thru 17253392, F172-0001 thru -0179	
Orange and blue seals are available at an additional cost	
Kit Part Number	Description
C172DEF-BRBK	C172DEF (1963-65) Baffle Set - Bare Metal with Black Seal
C172DEF-PCBK	C172DEF (1963-65) Baffle Set - Powder Coated with Black Seal
SEALKIT-C172DEF-BK	C172DEF (1963-65) Black Seal Kit

**FAA PMA ENGINE Baffles for CESSNA AIRCRAFT
 CESSNA 172GH (1966-1967)**



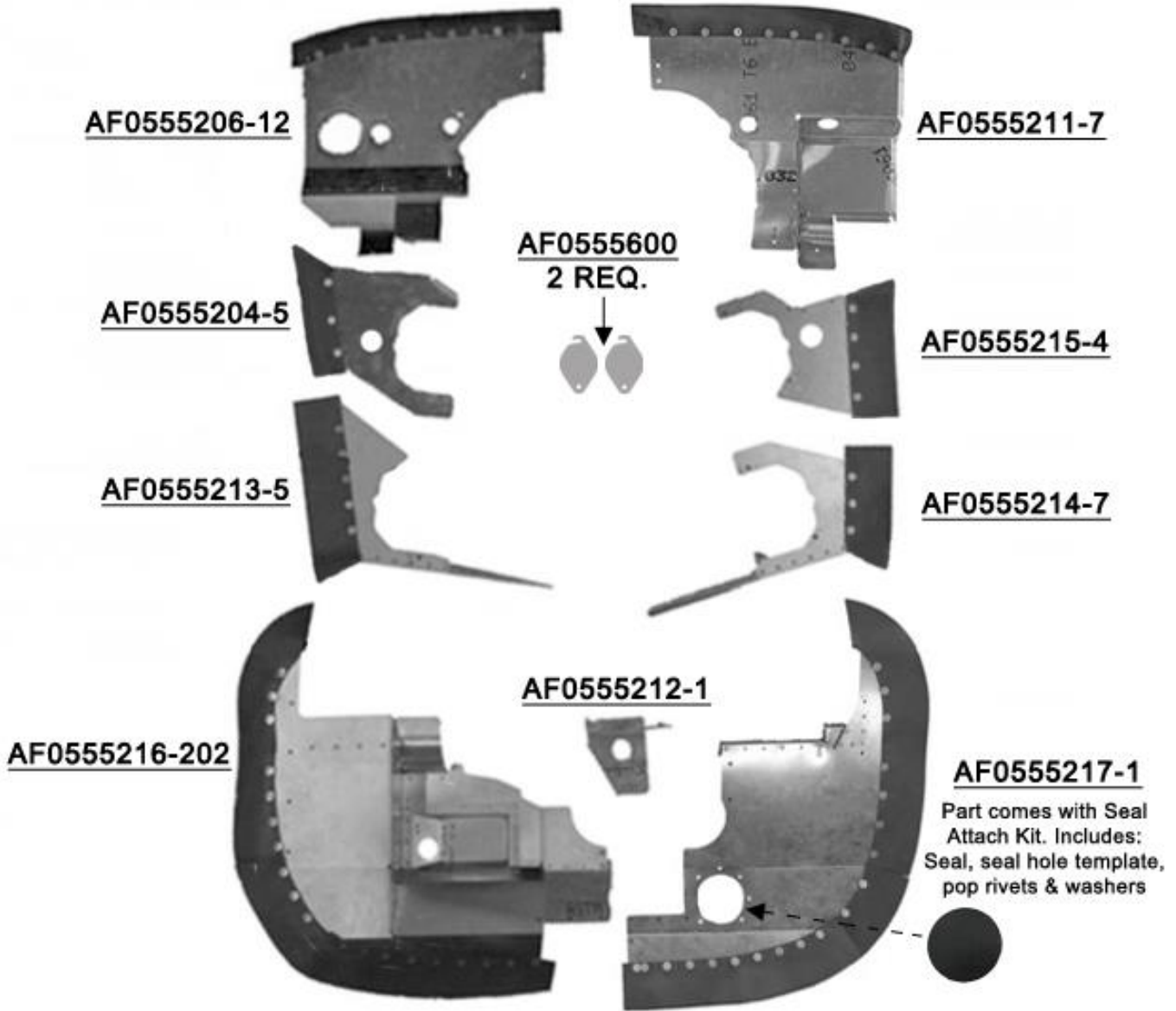
Eligibility: (1966-67) S/N 17253393 thru 17256512, F172-0180 thru -00804	
Orange and blue seals are available at an additional cost	
Kit Part Number	Description
C172GH-BRBK	C172GH (1966-67) Baffle Set - Bare Metal with Black Seal
C172GH-PCBK	C172GH (1966-67) Baffle Set - Powder Coated with Black Seal
SEALKIT-C172GH-BK	C172GH (1966-67) Black Seal Kit

**FAA PMA ENGINE Baffles for CESSNA AIRCRAFT
 CESSNA 172IKLM (1968-1973)**



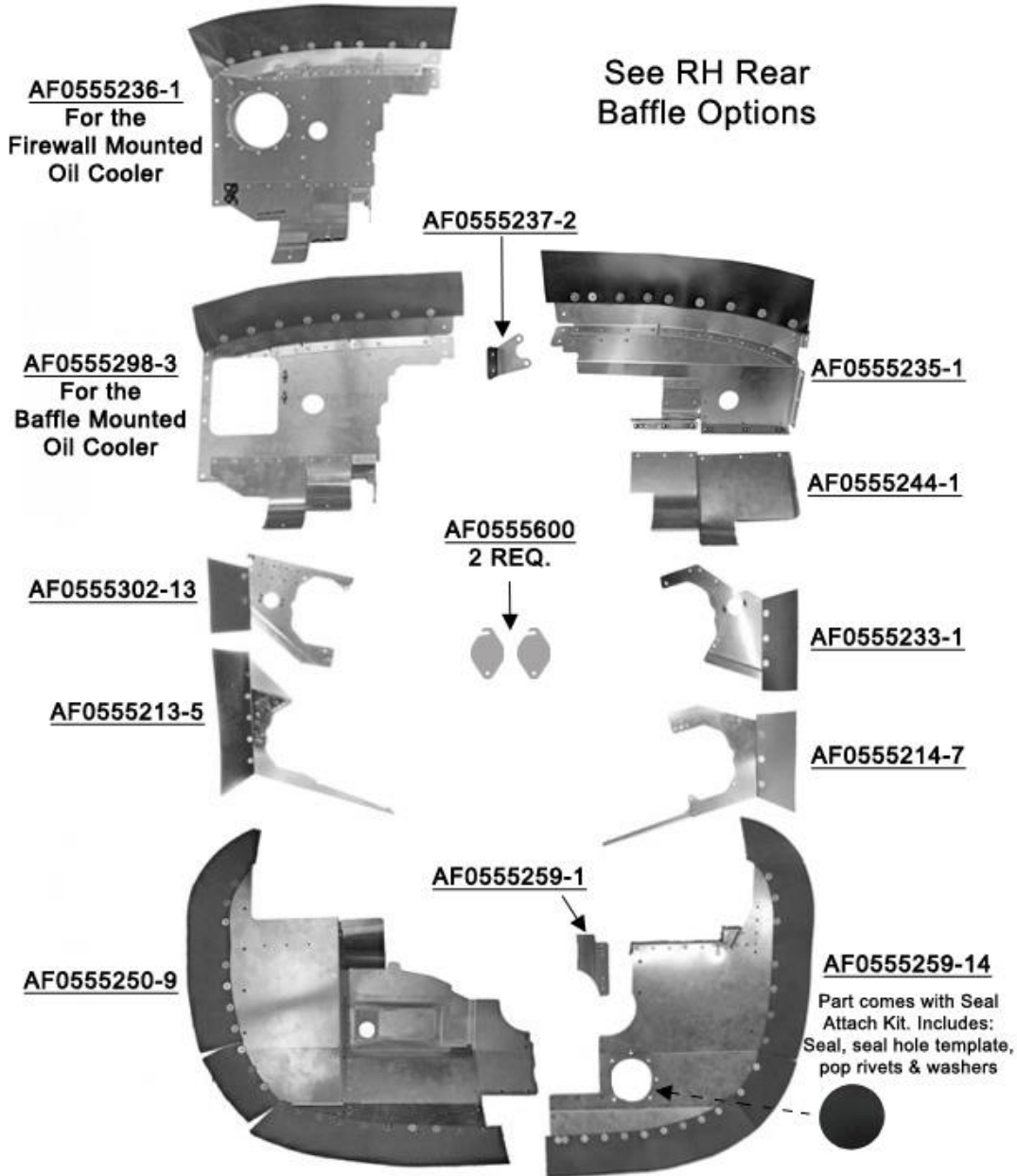
Eligibility: (1968-73) S/N 172-56513 thru 61898	
F172 S/N F172-00805 thru 01034	
Orange and blue seals are available at an additional cost	
Kit Part Number	Description
C172IKL68-M73-BRBK	C172IKLM (1968-73) Baffle Set - Bare Metal with Black Seal
C172IKL68-M73-PCBK	C172IKLM (1968-73) Baffle Set - Powder Coated with Black Seal
SEALKIT-C172IKL68-M73-BK	C172IKLM (1968-73) Black Seal Kit

**FAA PMA ENGINE Baffles for Cessna Aircraft
 CESSNA 172M (1974-1976)**



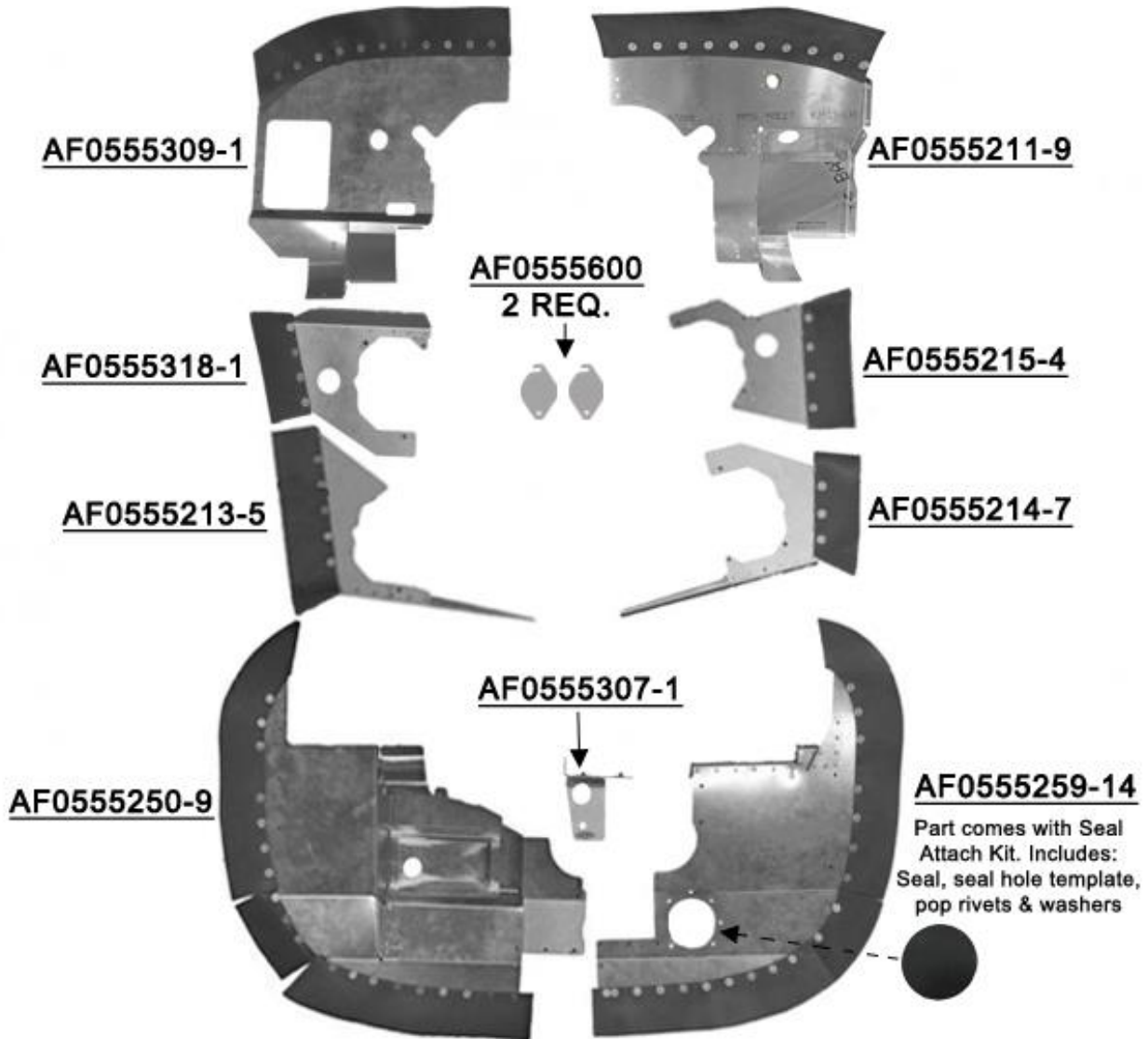
Eligibility: (1974-76) S/N 172-61899 thru 67584, F172M S/N F172-01035 thru 01514	
Orange and blue seals are available at an additional cost	
Kit Part Number	Description
C172M-7476BRBK	C172M (1974-76) Baffle Set - Bare Metal with Black Seal
C172M-7476PCBK	C172M (1974-76) Baffle Set - Powder Coated with Black Seal
SEALKIT-C172M-7476-BK	C172M (1974-76) Black Seal Kit

**FAA PMA ENGINE Baffles for CESSNA AIRCRAFT
 CESSNA 172N (1977 – 1980)**



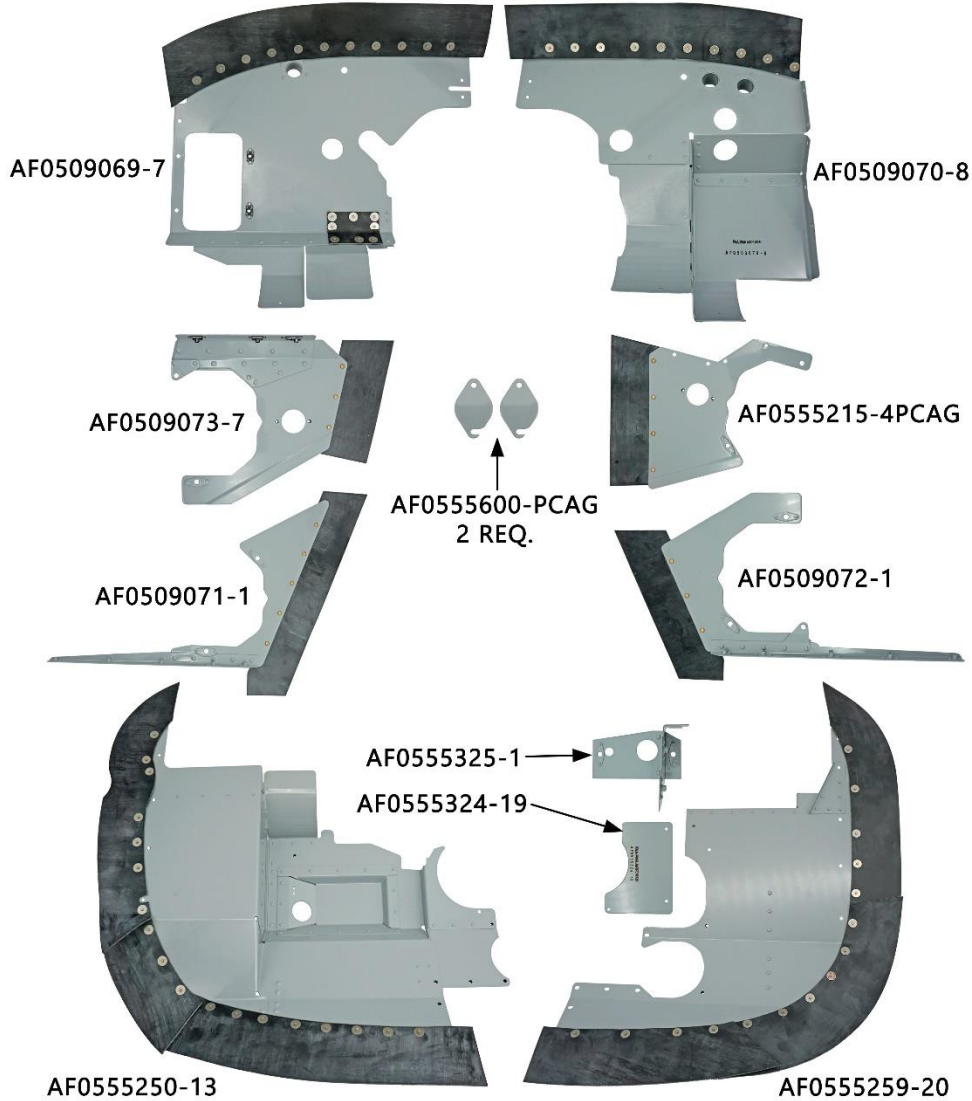
Eligibility: (1977-80) S/N 172-67585 thru 74009, F172N S/N F17201515 thru F17202039	
Orange and blue seals are available at an additional cost	
Kit Part Number	Description
C172N-77795BRBK	C172N *Firewall Mounted Oil Cooler* Baffle Set - Bare Metal with Black Seal
C172N-77795PCBK	C172N *Firewall Mounted Oil Cooler* Baffle Set - Powder Coated with Black Seal
C172N-79580BRBK	C172N *Baffle Mounted Oil Cooler* Baffle Set - Bare Metal with Black Seal
C172N-79580PCBK	C172N *Baffle Mounted Oil Cooler* Baffle Set - Powder Coated with Black Seal
SEALKIT-C172N-BK	C172N (1977-80) Black Seal Kit (works for both RH Rear Baffle Options)

**FAA PMA ENGINE Baffles for CESSNA AIRCRAFT
 CESSNA 172P**



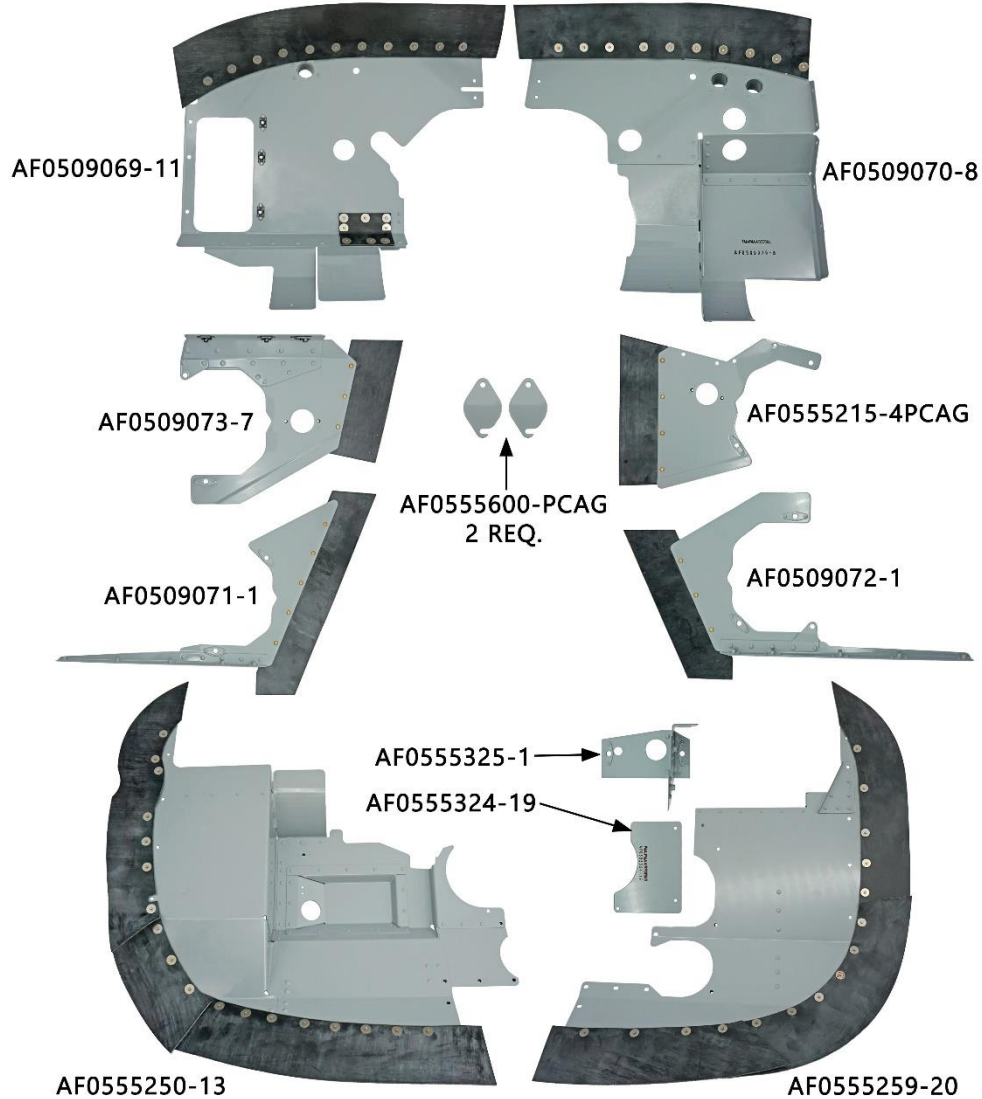
Eligibility: S/N 172-74010 thru 76673, F172P S/N F172-02040 & on	
Orange and blue seals are available at an additional cost	
Kit Part Number	Description
C172P-BRBK	C172P Baffle Set - Bare Metal with Black Seal
C172P-PCBK	C172P Baffle Set - Powder Coated with Black Seal
SEALKIT-C172P-BK	C172P Black Seal Kit

**FAA PMA ENGINE Baffles for CESSNA AIRCRAFT
 CESSNA 172R (1997-1998)**



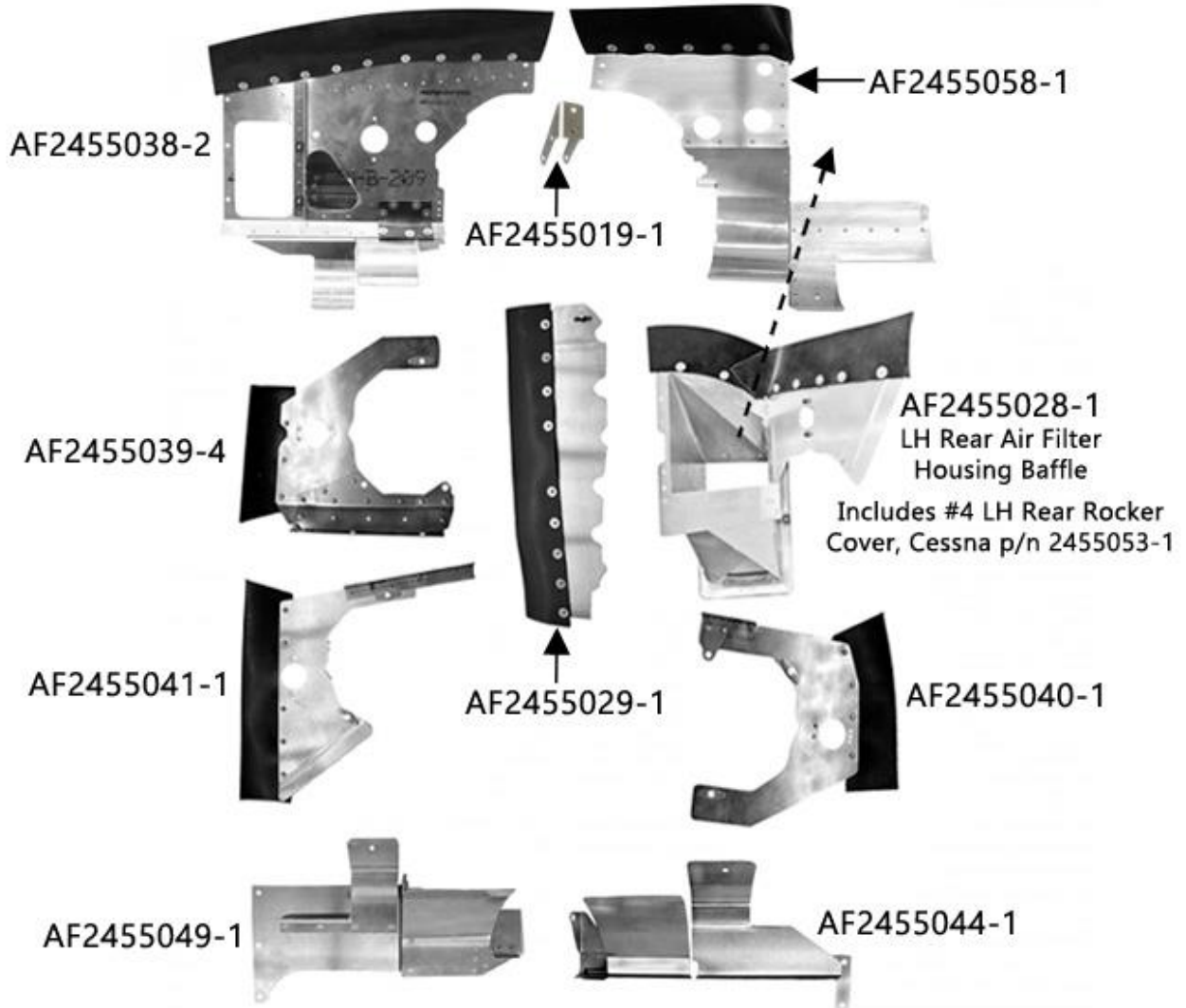
Eligibility: C172R (1997-98) S/N 172-80001 thru 80697	
C172R&S parts are FAA PMA Approved as powder coated Lycoming/OEM Gray	
Orange and blue seals are available at an additional cost	
Kit Part Number	Description
C172R-9798PCBK	C172R (1997-98) Baffle Set - Powder Coated with Black Seal
SEALKIT-C172RS-BK	C172R (1997-04) C172S (1998-04.5) Black Seal Kit

**FAA PMA ENGINE Baffles for CESSNA AIRCRAFT
 CESSNA 172R (1999-2004)**



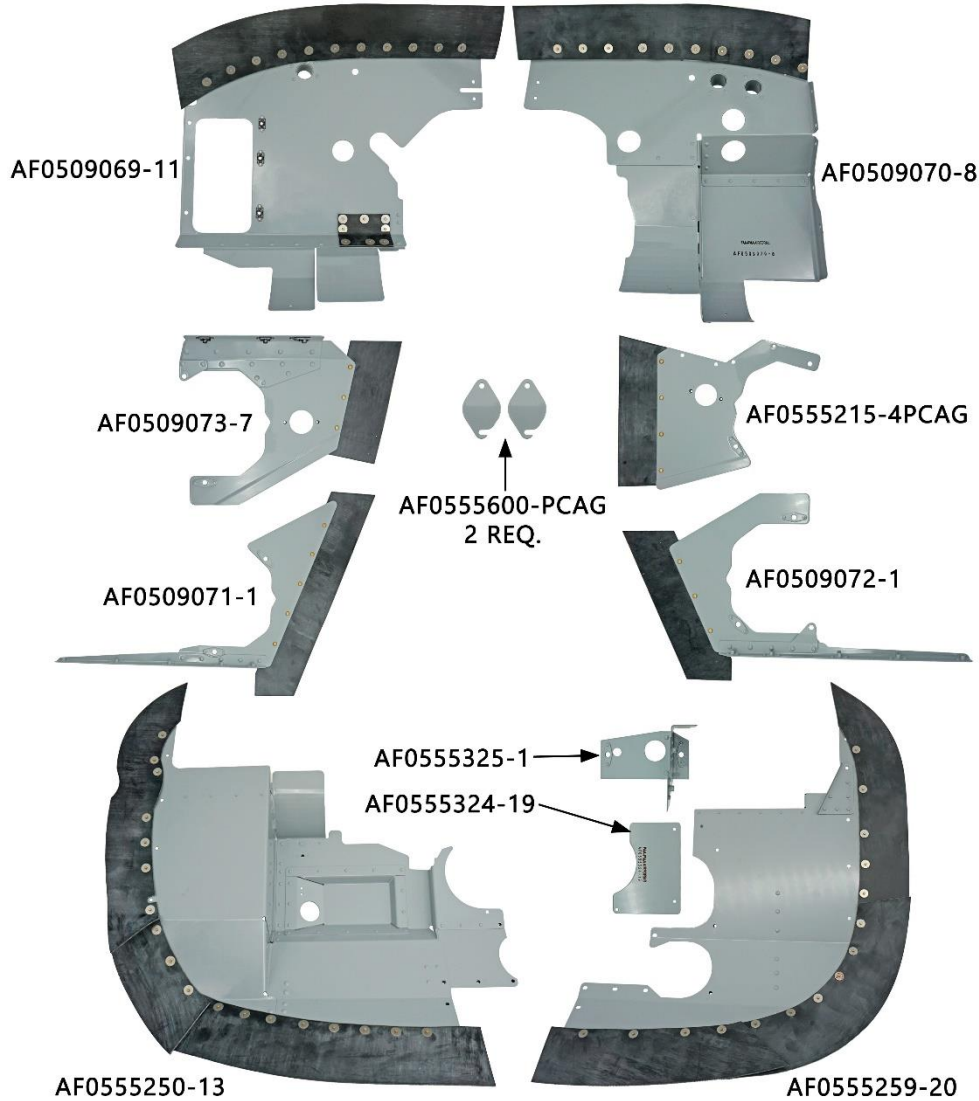
Eligibility: C172R (1999-2004) S/N 172-80698 thru 81233	
C172R&S parts are FAA PMA Approved as powder coated Lycoming/OEM Gray	
Orange and blue seals are available at an additional cost	
Kit Part Number	Description
C172R-990PCBK	C172R (1999-04) Baffle Set - Powder Coated with Black Seal
SEALKIT-C172RS-BK	C172R (1997-04) C172S (1998-04.5) Black Seal Kit

**FAA PMA ENGINE Baffles for CESSNA AIRCRAFT
 CESSNA 172RG (1979-1985)**



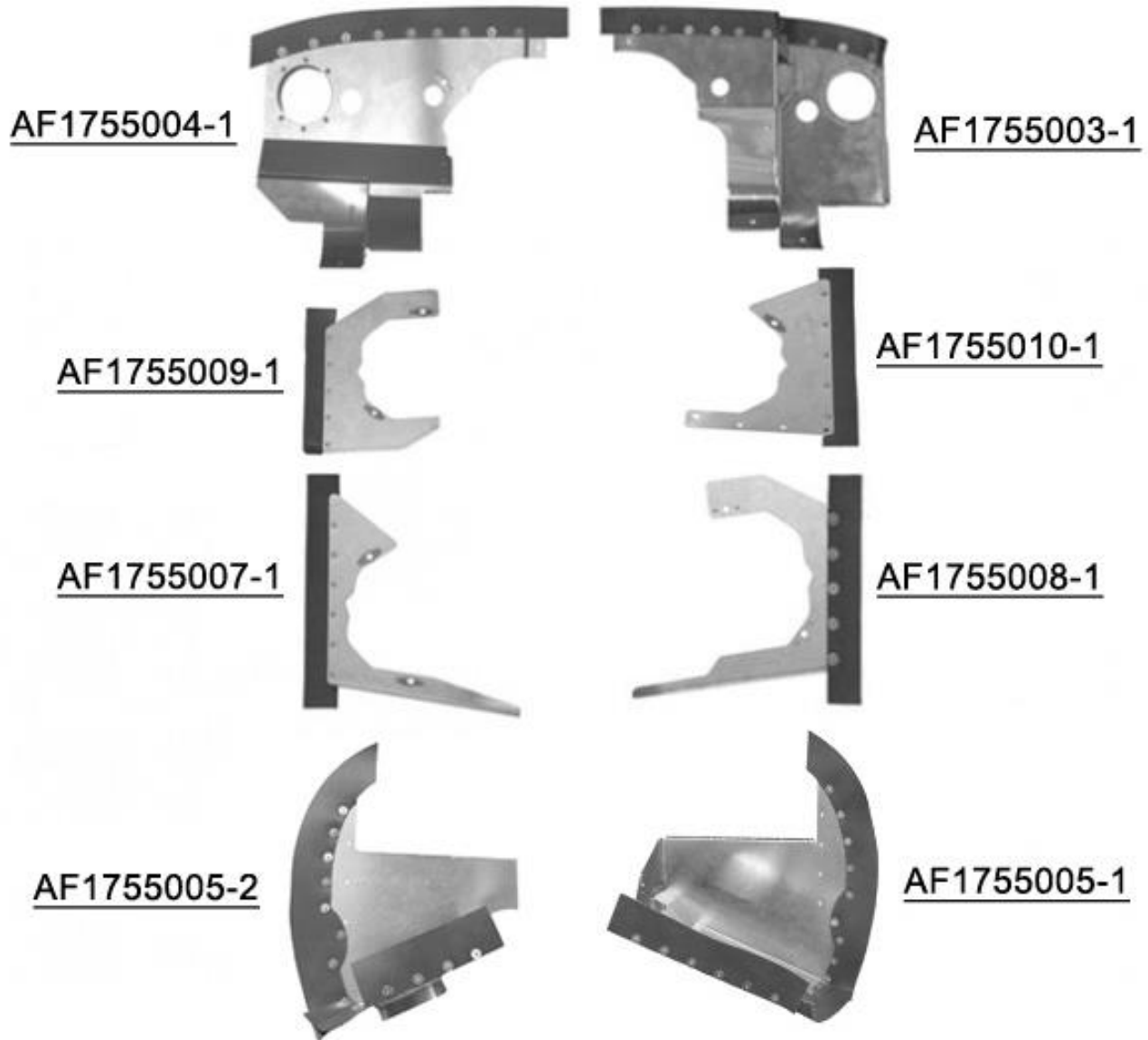
Eligibility: S/N (1979-85) 172RG-0001 thru 0817, 172RG-0891 thru 1191	
Orange and blue seals are available at an additional cost	
Kit Part Number	Description
C172RG-BRBK	C172RG (1979-85) Baffle Set - Bare Metal with Black Seal
C172RG-PCBK	C172RG (1979-85) Baffle Set - Powder Coated with Black Seal
SEALKIT-C172RG-BK	C172RG (1979-85) Black Seal Kit

**FAA PMA ENGINE Baffles for CESSNA AIRCRAFT
 CESSNA 172S (1998-2004.5)**



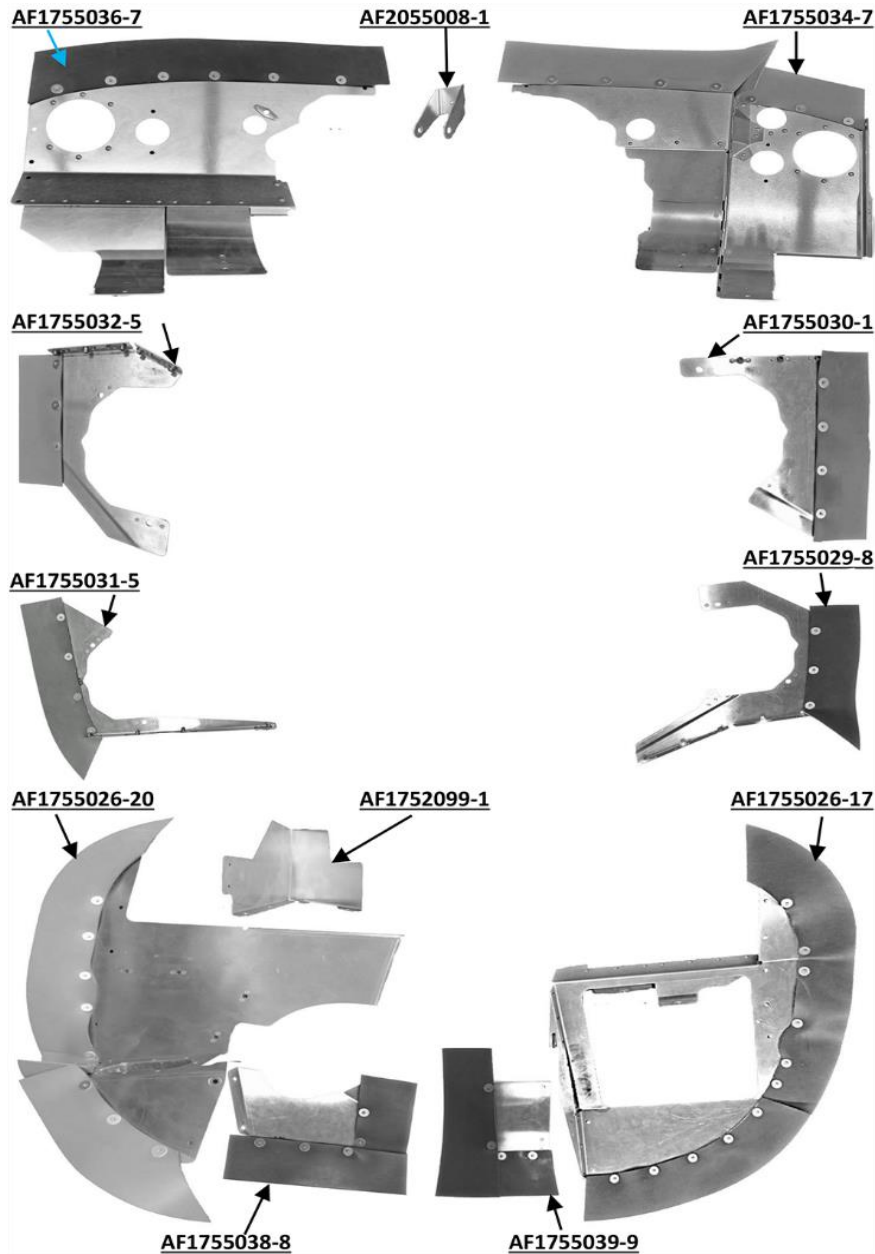
Eligibility: C172S (1998-2004.5) S/N 172S-8001 thru 9770	
C172R&S parts are FAA PMA Approved as powder coated Lycoming/OEM Gray	
Orange and blue seals are available at an additional cost	
Kit Part Number	Description
C172S-98045PCBK	C172S (1998-04.5) Baffle Set - Powder Coated with Black Seal
SEALKIT-C172RS-BK	C172R (1997-04) C172S (1998-04.5) Black Seal Kit

**FAA PMA ENGINE Baffles for CESSNA AIRCRAFT
 CESSNA 177 (1968)**



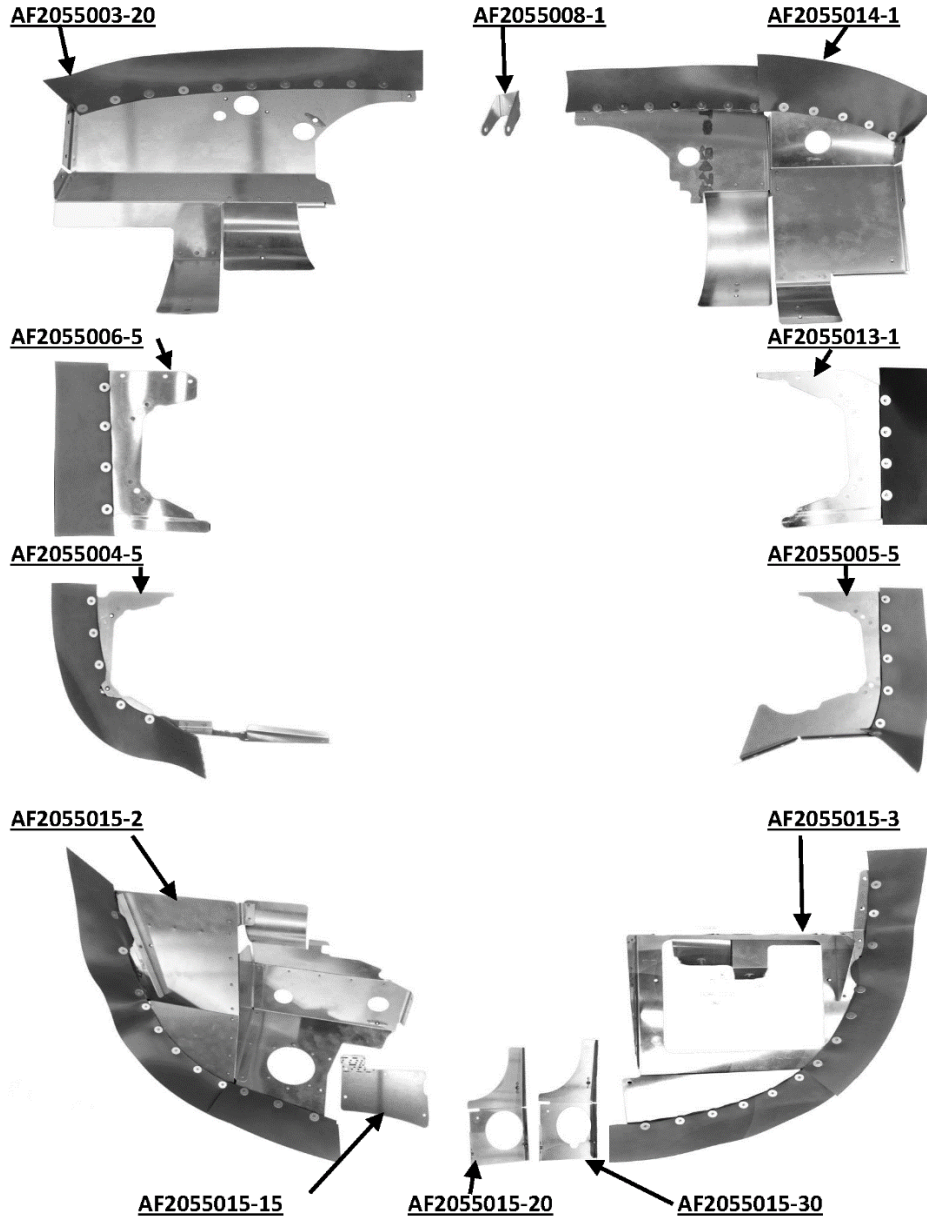
Eligibility: (1968) S/N 177-00001 Thru 01164	
Orange and blue seals are available at an additional cost	
Kit Part Number	Description
C177-68BRBK	C177 (1968) Baffle Set - Bare Metal with Black Seals
C177-68PCBK	C177 (1968) Baffle Set - Powder Coated with Black Seal
SEALKIT-C177-68-BK	C177 (1968) Black Seal Kit

**FAA PMA ENGINE Baffles for CESSNA AIRCRAFT
 CESSNA 177 (1973-1974)**



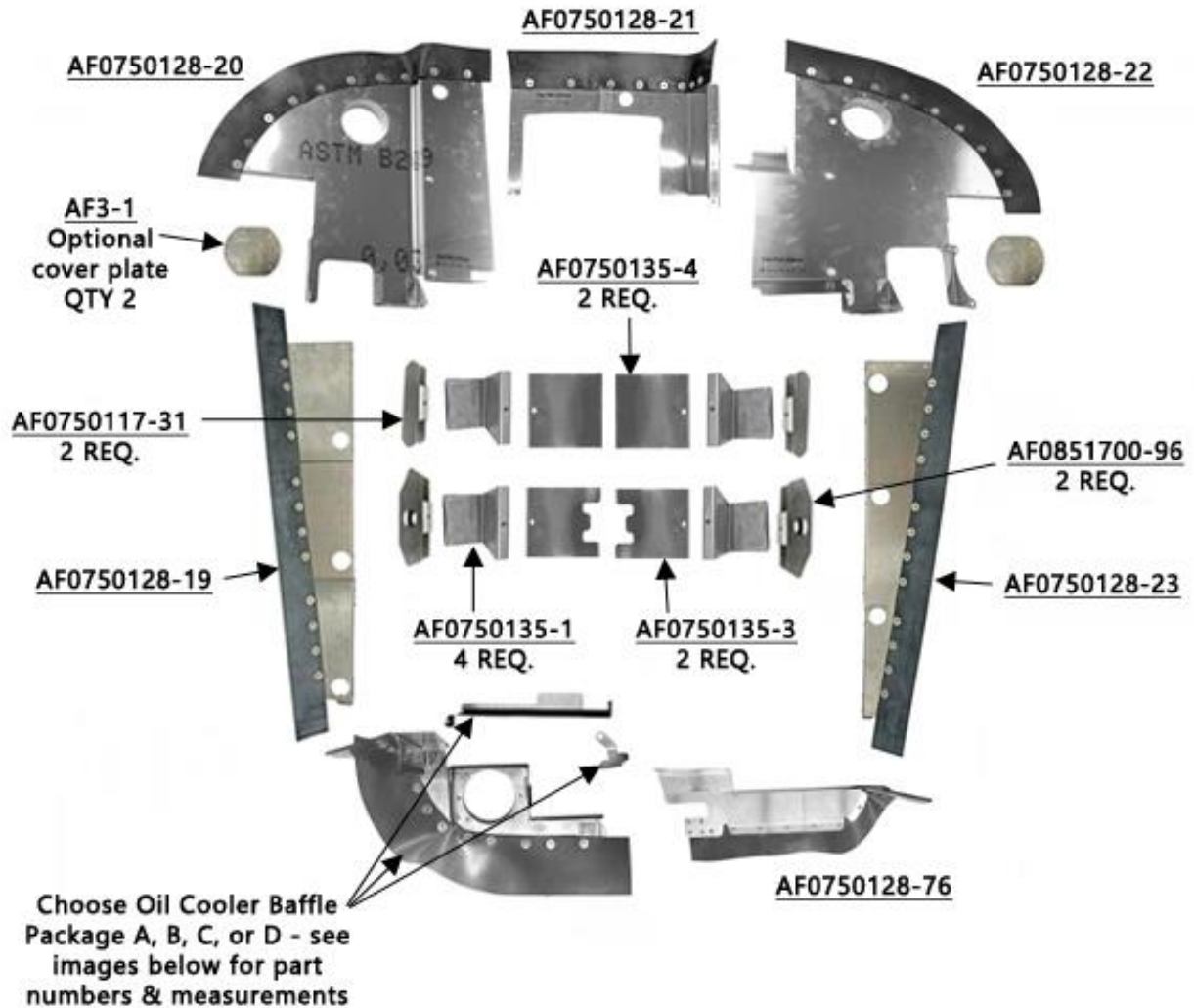
Eligibility: (1973-74) S/N 177-01774 Thru 02123	
Orange and blue seals are available at an additional cost	
Kit Part Number	Description
C177-7374BRBK	C177 (1973-74) Baffle Set - Bare Metal with Black Seal
C177-7374PCBK	C177 (1973-74) Baffle Set - Powder Coated with Black Seal
SEALKIT-C177-7374-BK	C177 (1973-74) Black Seal Kit

**FAA PMA ENGINE Baffles for CESSNA AIRCRAFT
 CESSNA 177RGII (1975-1978)**



Eligibility: (1975-78) 177RG-0593 thru 1366, 0419	
Orange and blue seals are available at an additional cost	
Kit Part Number	Description
C177RG-7578BRBK	C177RGII (1975-78) Baffle Set - Bare Metal with Black Seal
C177RG-7578PCBK	C177RGII (1975-78) Baffle Set - Powder Coated with Black Seal
SEALKIT-C177RG-7578-BK	C177RGII (1975-78) Black Seal Kit

**FAA PMA ENGINE Baffles for CESSNA AIRCRAFT
 CESSNA 180 (1956-1981) / 182 (1958-1973)**

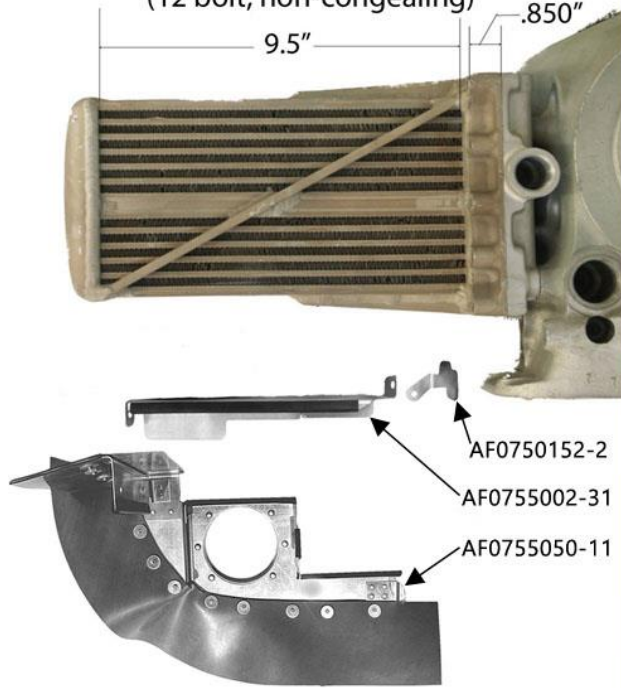


Eligibility: C180 (1956-81) S/N 32151 thru 180-53203, C182 (1958-73) S/N 34755 thru 182-62465	
Orange and blue seals are available at an additional cost	
Kit Part Number	Description
C180182-PKGA-BRBK	C180/182 Baffle Set - Bare Metal with Black Seal, Package A
C180182-PKGB-BRBK	C180/182 Baffle Set - Bare Metal with Black Seal, Package B
C180182-PKGA-PCBK	C180/182 Baffle Set - Powder Coated with Black Seal, Package A
C180182-PKGB-PCBK	C180/182 Baffle Set - Powder Coated with Black Seal, Package B
SEALKIT-C180182-PKGA-BK	C180/182 Black Seal Kit, Package A

CESSNA 180 (1956-1981) / 182 (1958-1973) Oil Cooler Baffle Options

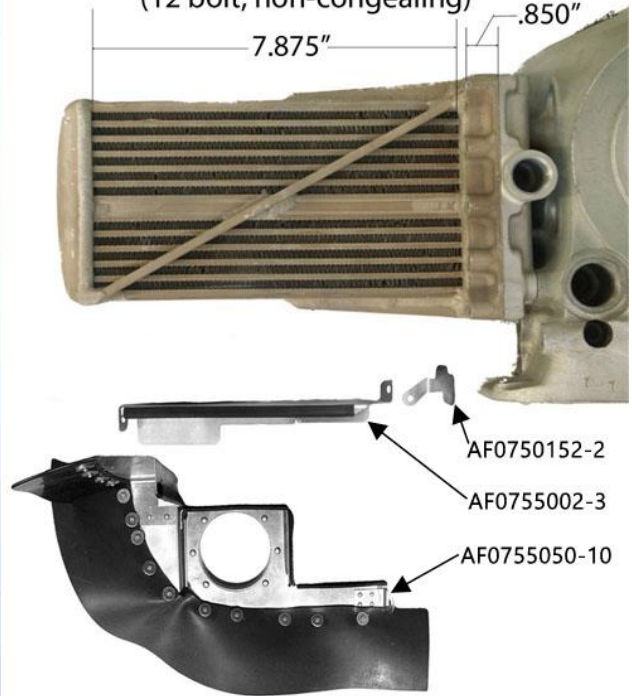
OIL COOLER PACKAGE A

(12 bolt, non-congealing)



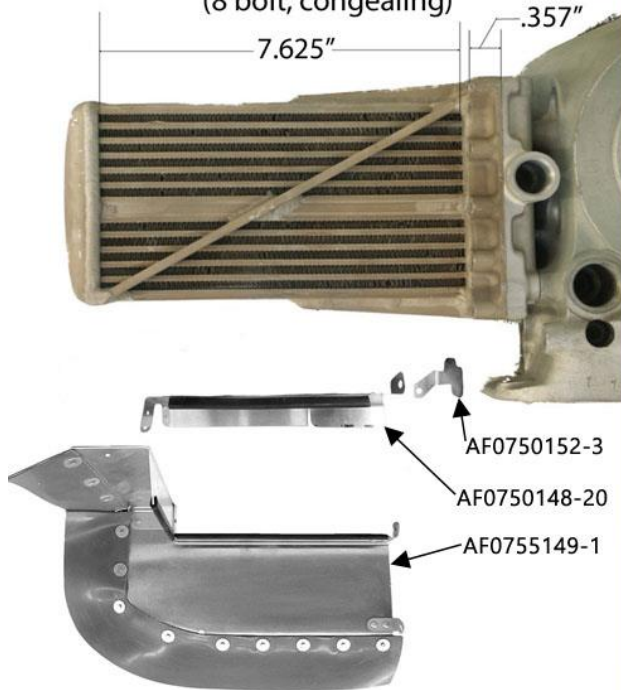
OIL COOLER PACKAGE B

(12 bolt, non-congealing)



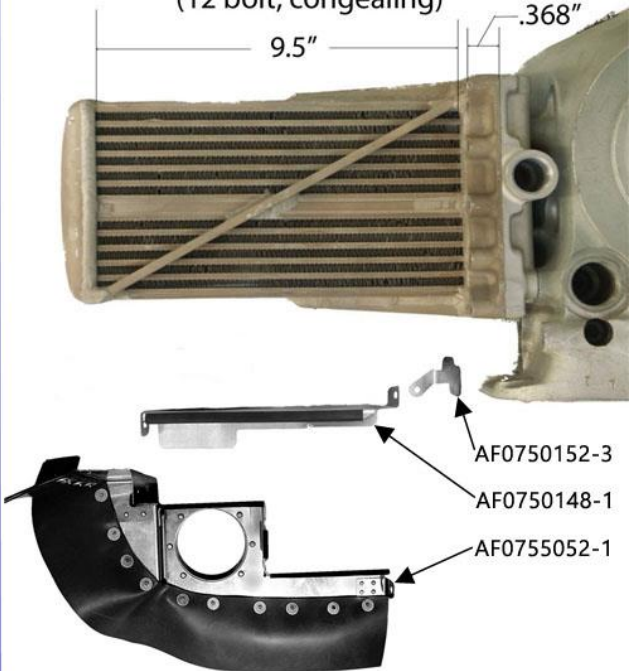
OIL COOLER PACKAGE C

(8 bolt, congealing)



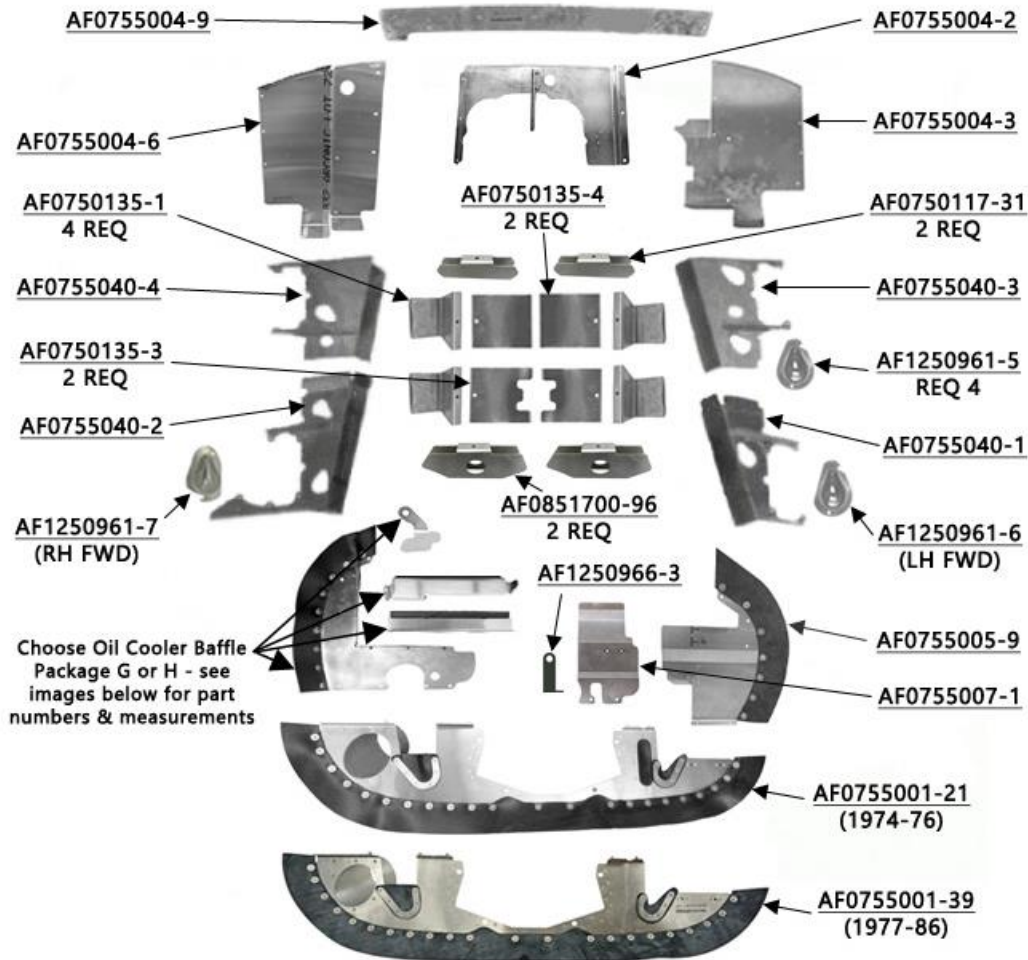
OIL COOLER PACKAGE D

(12 bolt, congealing)



**FAA PMA ENGINE Baffles for CESSNA AIRCRAFT
 CESSNA 182 (1974-1986)**

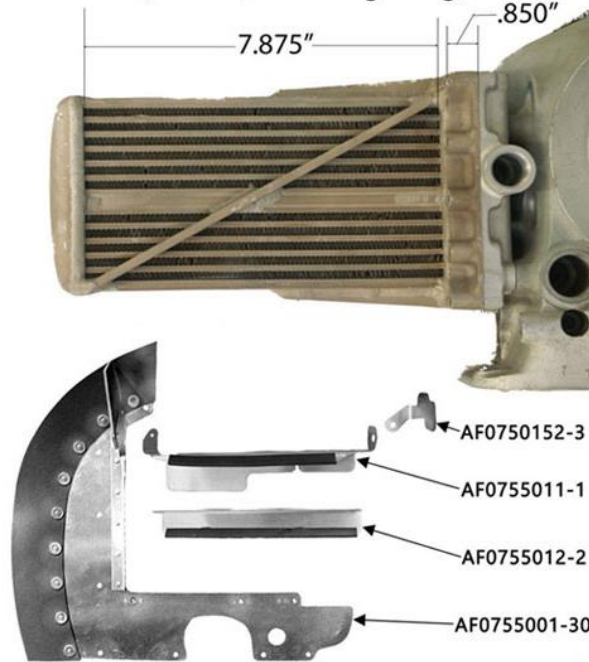
The Complete Baffle Sets & Seal Kits come with Cowling Seals



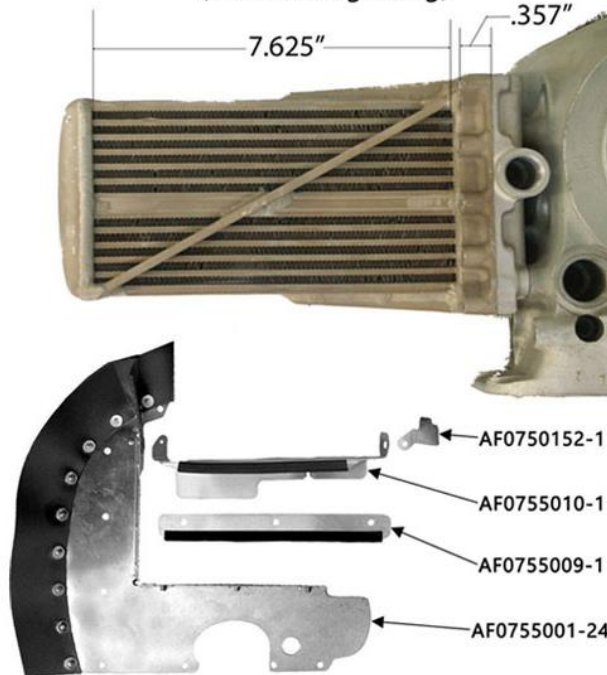
Eligibility: (See Forward Baffle Options)	
C182 (1974-76): S/N 182-62466 thru 65175, F182 S/N F182-00001 thru 00025	
C182 (1977-86): S/N 182-65176 thru 68615, F182 S/N F18200026 thru 00169	
Baffle sets & Seal Kits include Cowling Seals. Orange and blue seals are available at an additional cost	
Part Number	Description
C182-7476-PKGG-BRBK	C182 (1974-76) Baffle Set - Bare Metal with Black Seal, Package G
C182-7786-PKGG-BRBK	C182 (1977-86) Baffle Set - Bare Metal with Black Seal, Package G
C182-7476-PKGG-PCBK	C182 (1974-76) Baffle Set - Powder Coated with Black Seal, Package H
C182-7786-PKGG-PCBK	C182 (1977-86) Baffle Set - Powder Coated with Black Seal, Package H
SEALKIT-C182-7476-PKGG-BK	C182 (1974-76) Black Seal Kit, Package G
SEALKIT-C182-7786-PKGG-BK	C182 (1977-86) Black Seal Kit, Package H

CESSNA 182 (1974-1986) Oil Cooler Baffle Options

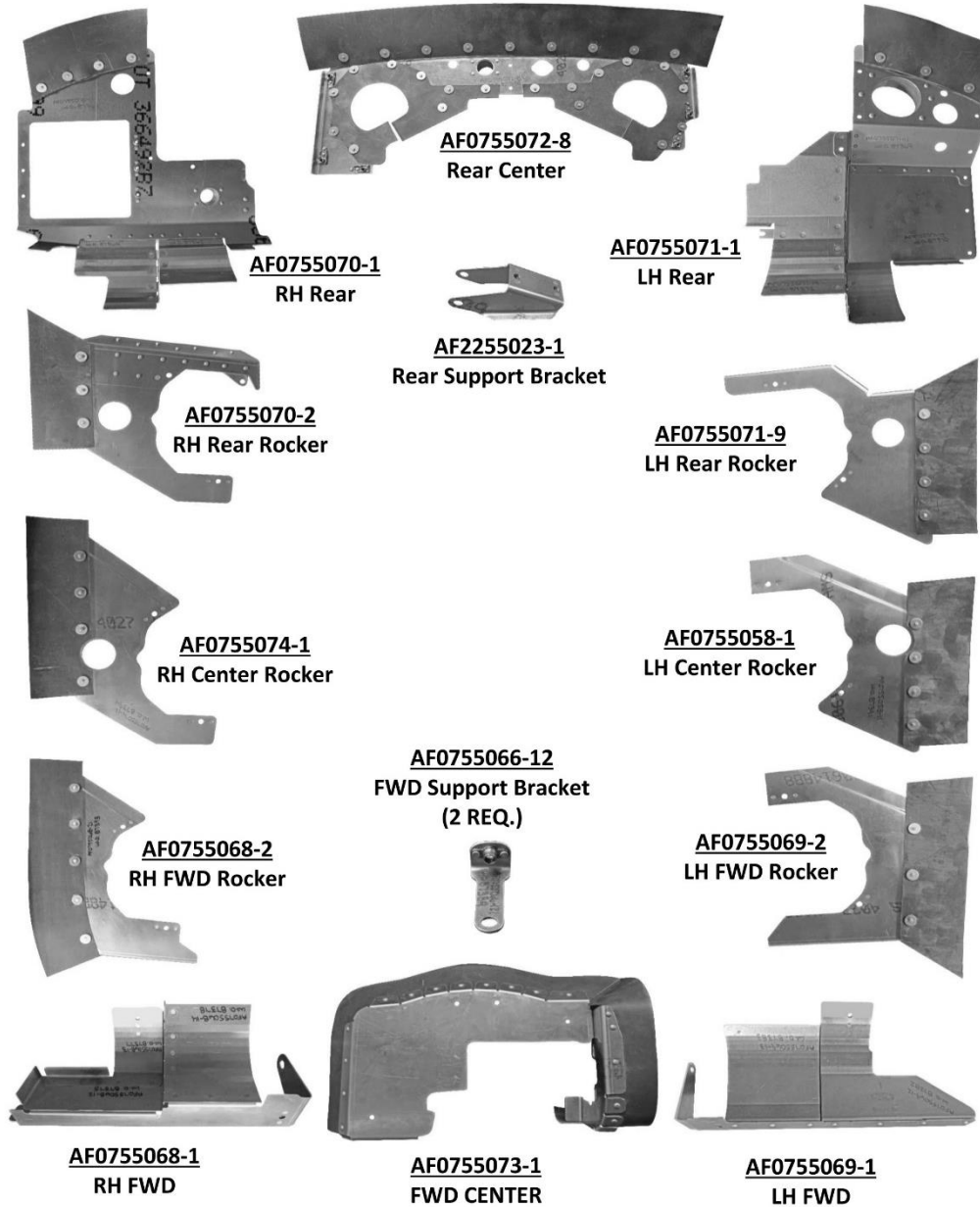
PACKAGE G - OIL COOLER BAFFLES
(12 bolt, non-congealing)



PACKAGE H - OIL COOLER BAFFLES
(8 bolt, congealing)

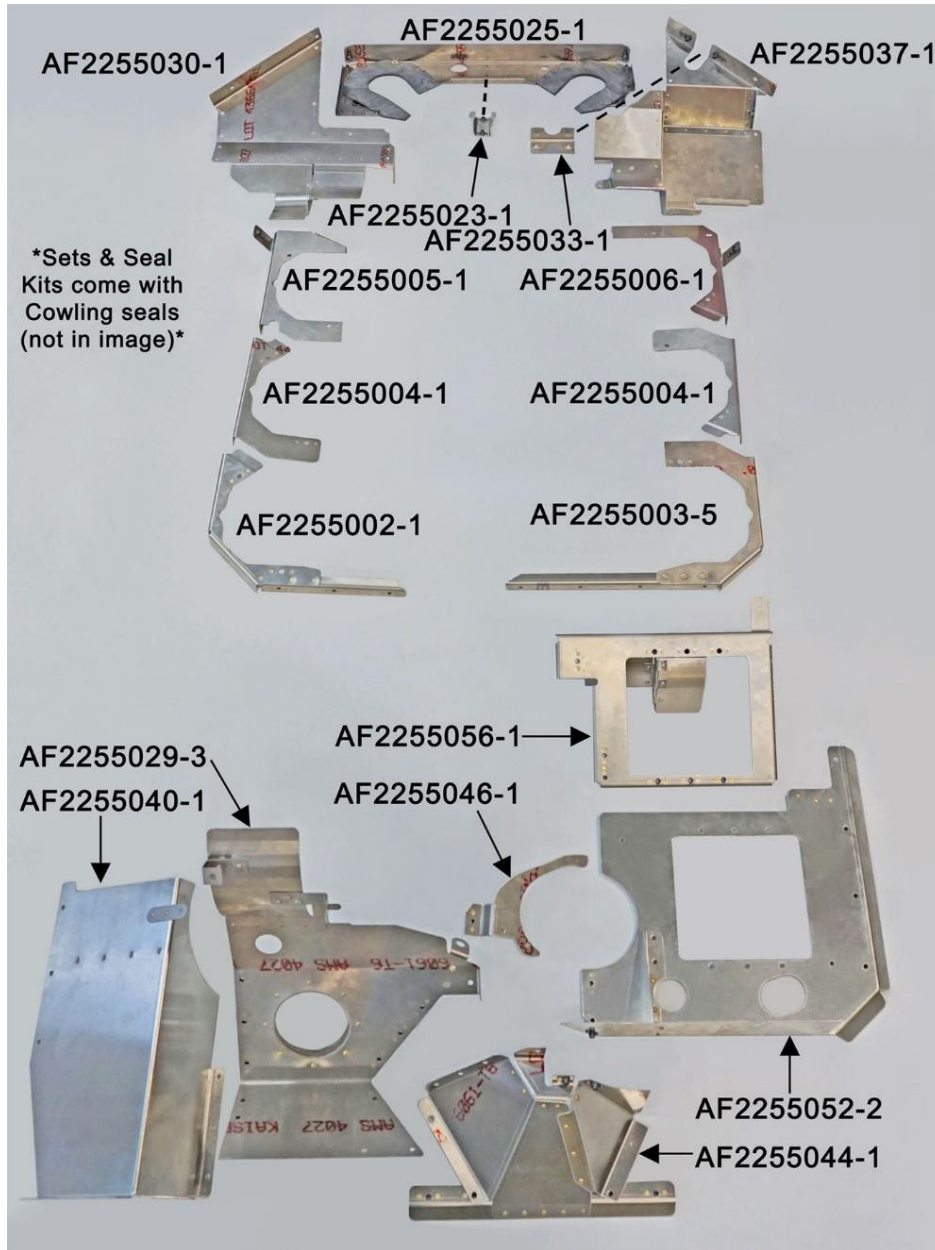


**FAA PMA ENGINE Baffles for CESSNA AIRCRAFT
 CESSNA 182T (2004.5-2012)**



Eligibility: (2004.5-12) S/N 182-81318 & on (ends at 82358)	
Orange and blue seals are available at an additional cost	
Kit Part Number	Description
C182T-BRBK	C182T (2004.5-12) Baffle Set - Bare Metal with Black Seal
C182T-PCBK	C182T (2004.5-12) Baffle Set - Powder Coated with Black Seal
SEALKIT-C182T-BK	C182T (2004.5-12) Black Seal Kit

**FAA PMA ENGINE Baffles for Cessna Aircraft
 CESSNA R182RGII (1978-1979)**



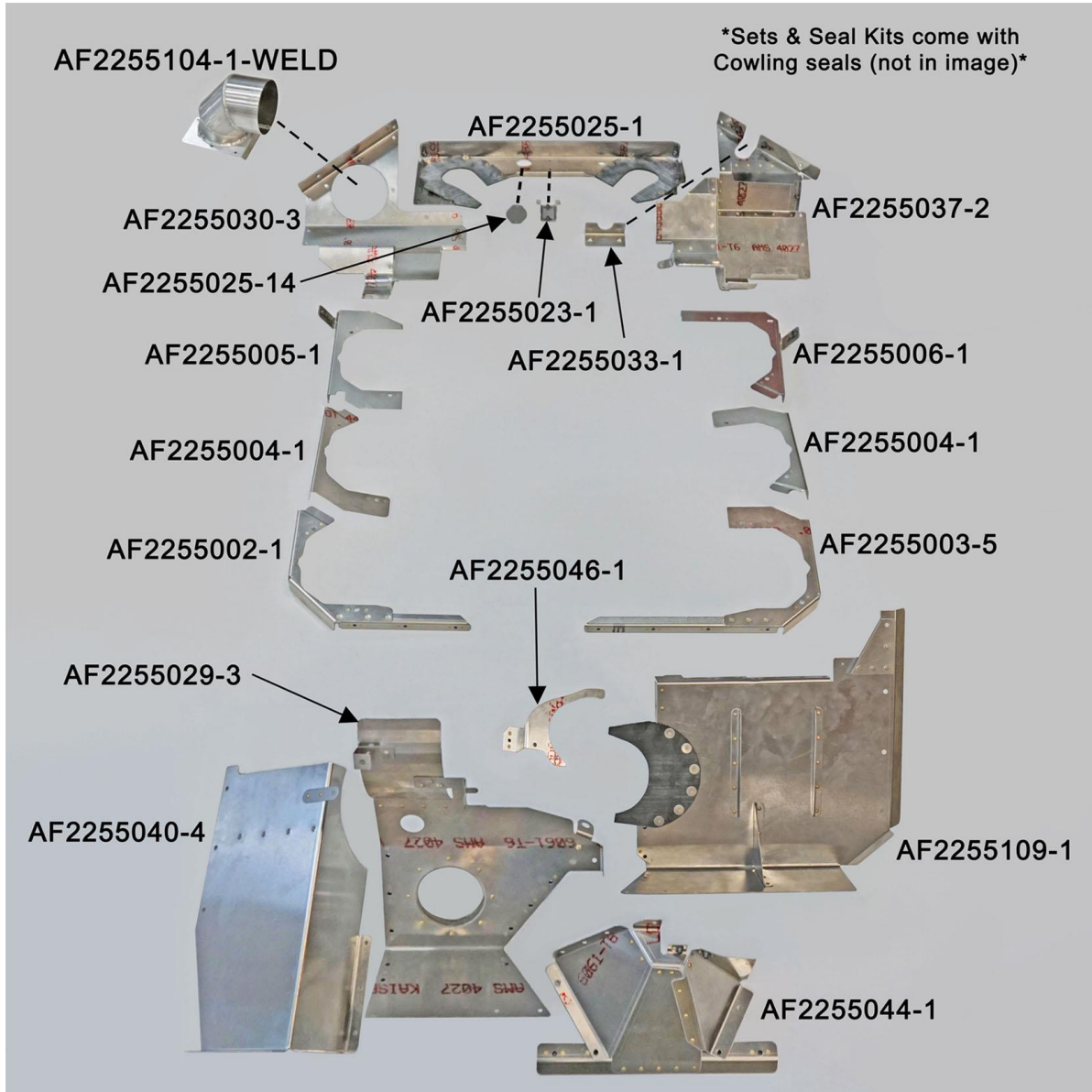
Eligibility: (1978-79) S/N R182-00001 thru -01313, FR182-00001 thru -00045	
Orange and blue seals are available at an additional cost	
Kit Part Number	Description
CR182RGII-7879-BRBK	CR182RGII (1978-79) Baffle Set - Bare Metal with Black Seal
CR182RGII-7879-PCBK	CR182RGII (1978-79) Baffle Set - Powder Coated with Black Seal
SEALKIT-CR182RGII-7879-BK	CR182RGII (1978-79) Black Seal Kit

**FAA PMA ENGINE Baffles for CESSNA AIRCRAFT
 CESSNA R182RGII (1981.5-1986)**



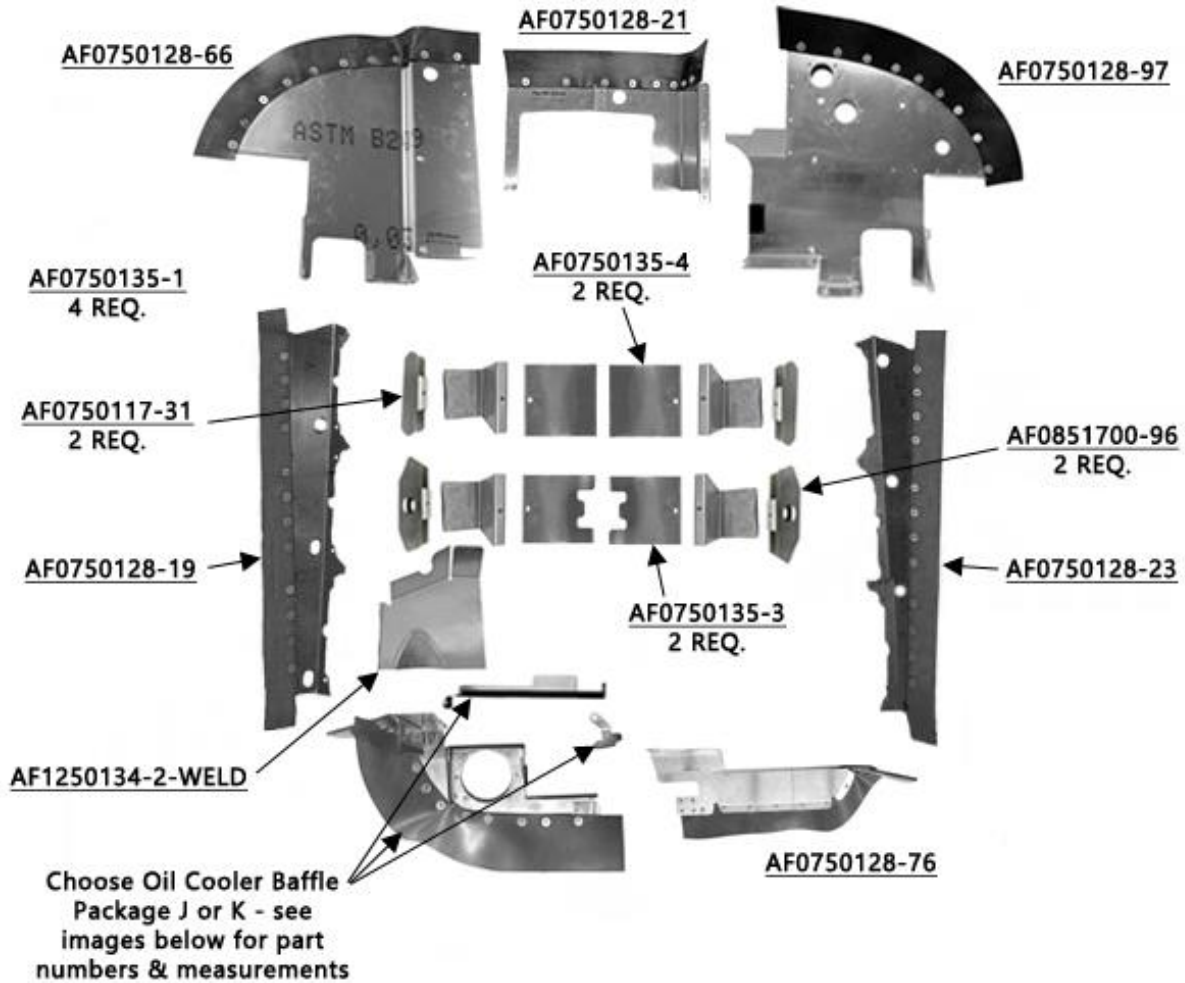
Eligibility: (1981.5-86) S/N R182-01789 thru -02041	
Orange and blue seals are available at an additional cost	
Kit Part Number	Description
CR182RGII-81586-BRBK	CR182RGII (1981.5-86) Baffle Set - Bare Metal with Black Seal
CR182RGII-81586-PCBK	CR182RGII (1981.5-86) Baffle Set - Powder Coated with Black Seal
SEALKIT-CR182RGII-81586-BK	CR182RGII (1981.5-86) Black Seal Kit

**FAA PMA ENGINE Baffles for CESSNA AIRCRAFT
 CESSNA TR182RGII (1980)**



Eligibility: (1980) S/N R182-01314 thru -01628, FR182-00046 thru -00070	
Orange and blue seals are available at an additional cost	
Kit Part Number	Description
CTR182RGII-80-BRBK	CTR182RGII (1980) Baffle Set - Bare Metal with Black Seal
CTR182RGII-80-PCBK	CTR182RGII (1980) Baffle Set - Powder Coated with Black Seal
SEALKIT-CTR182RGII-80-BK	CTR182RGII (1980) Black Seal Kit

**FAA PMA ENGINE Baffles for CESSNA AIRCRAFT
 CESSNA 185**

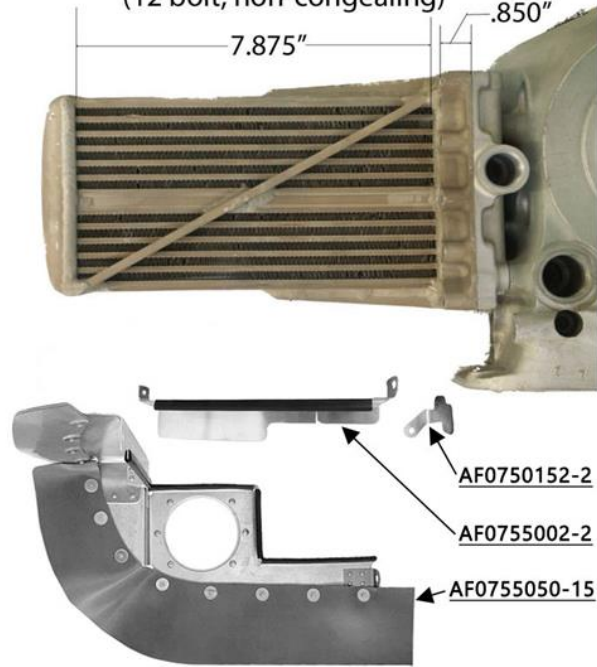


Eligibility: C185, All Serial Numbers	
Orange and blue seals are available at an additional cost	
Bare Metal Kits	Description
C185-PKGJ-BRBK	C185 Baffle Set - Bare Metal with Black Seal, Package J Oil Cooler Baffles
C185-PKGK-BRBK	C185 Baffle Set - Bare Metal with Black Seal, Package K Oil Cooler Baffles
Powder Coated Kits	Description
C185-PKGJ-PCBK	C185 Baffle Set - Powder Coated with Black Seal, Package J Oil Cooler Baffles
C185-PKGK-PCBK	C185 Baffle Set - Powder Coated with Black Seal, Package K Oil Cooler Baffles
Seal Kits	Description
SEALKIT-C185-PKGJ-BK	C185 Black Seal Kit, Package J Oil Cooler Seals
SEALKIT-C185-PKGK-BK	C185 Black Seal Kit, Package K Oil Cooler Seals

CESSNA 185 Oil Cooler Baffle Options

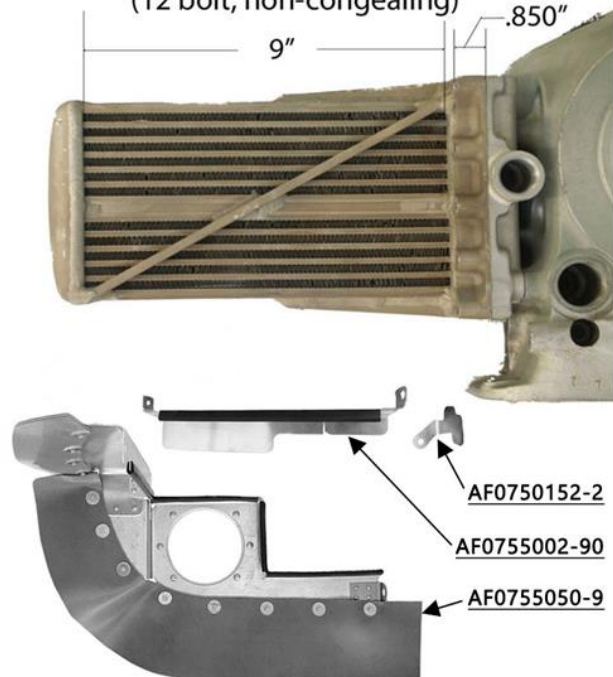
OIL COOLER PACKAGE J

(12 bolt, non-congealing)

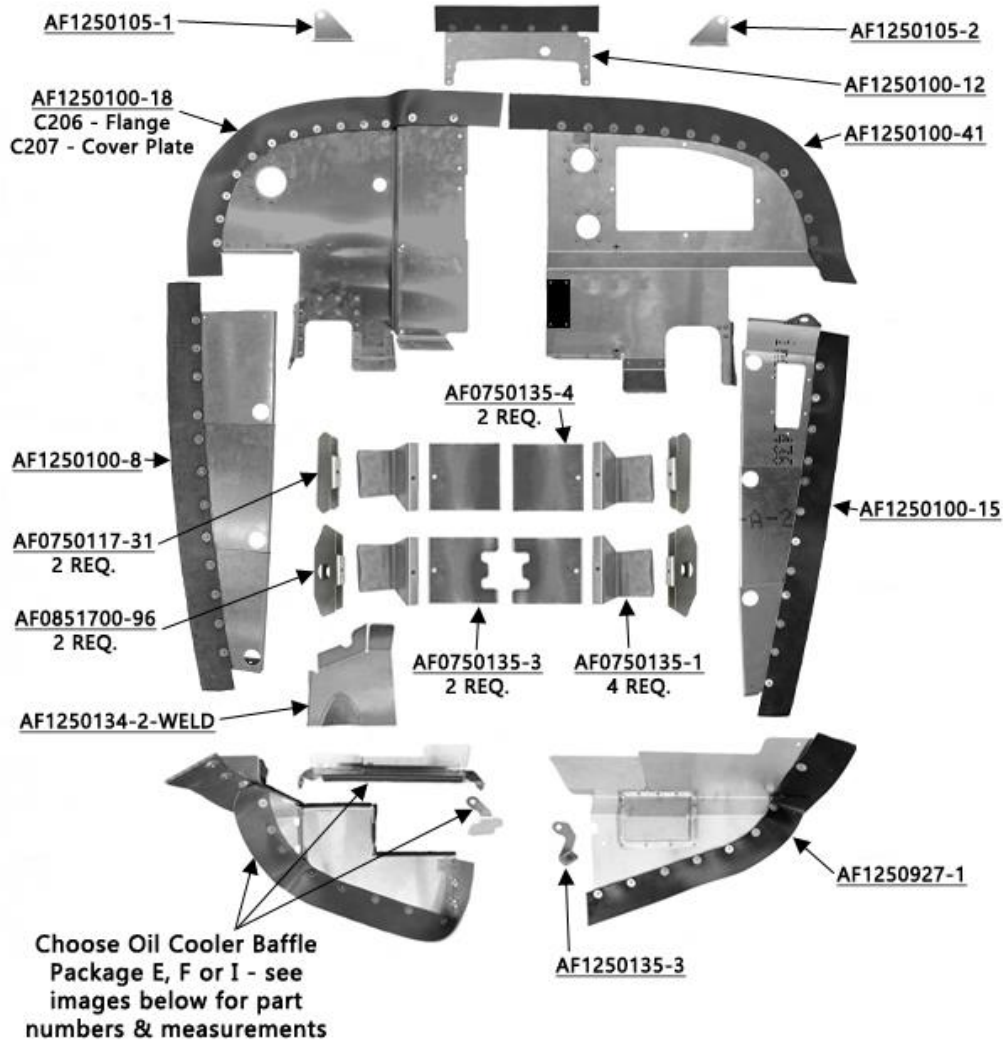


OIL COOLER PACKAGE K

(12 bolt, non-congealing)

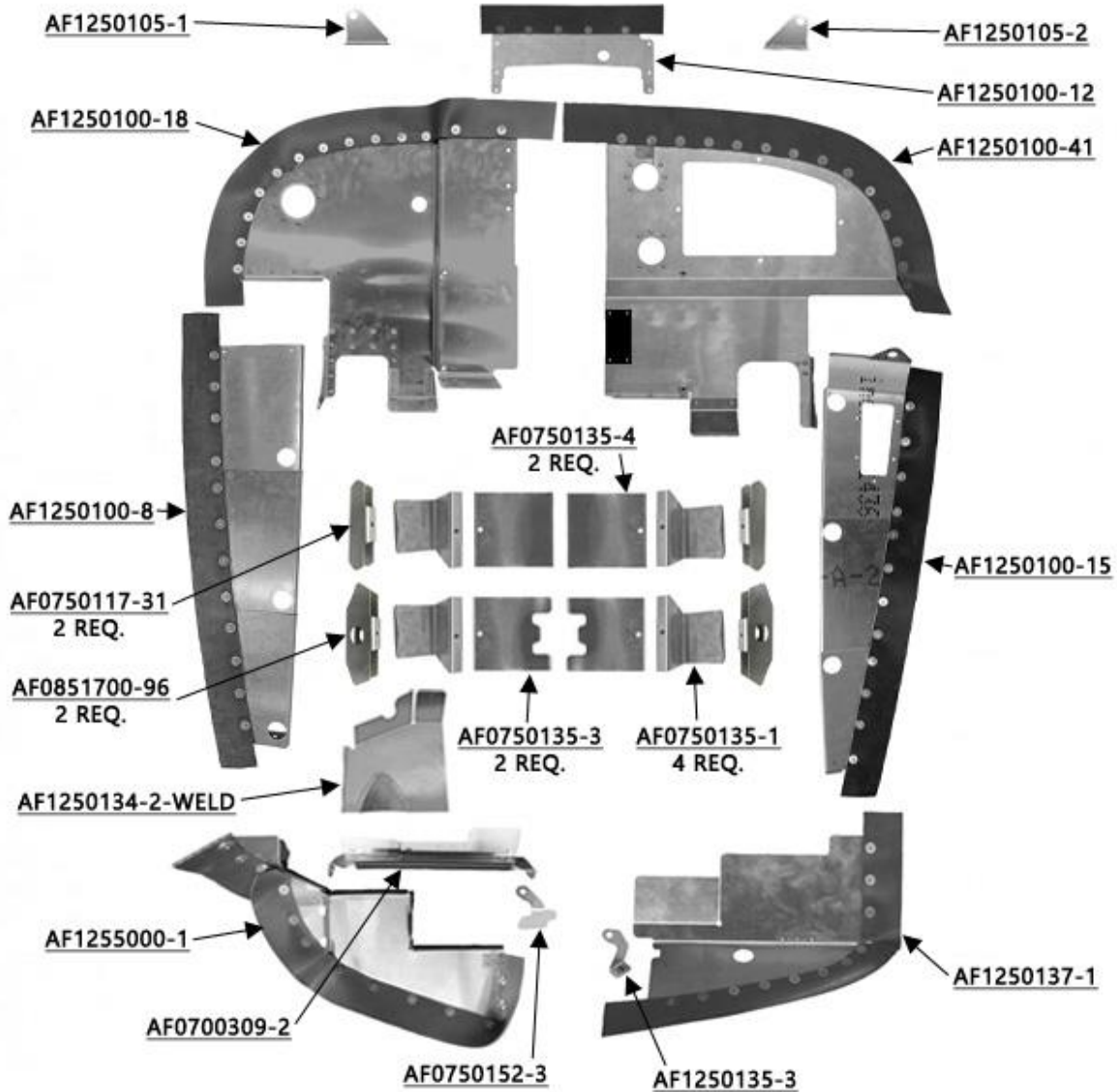


**FAA PMA ENGINE Baffles for CESSNA AIRCRAFT
 CESSNA 206 (1964) // U206 (1965-1971.5)**



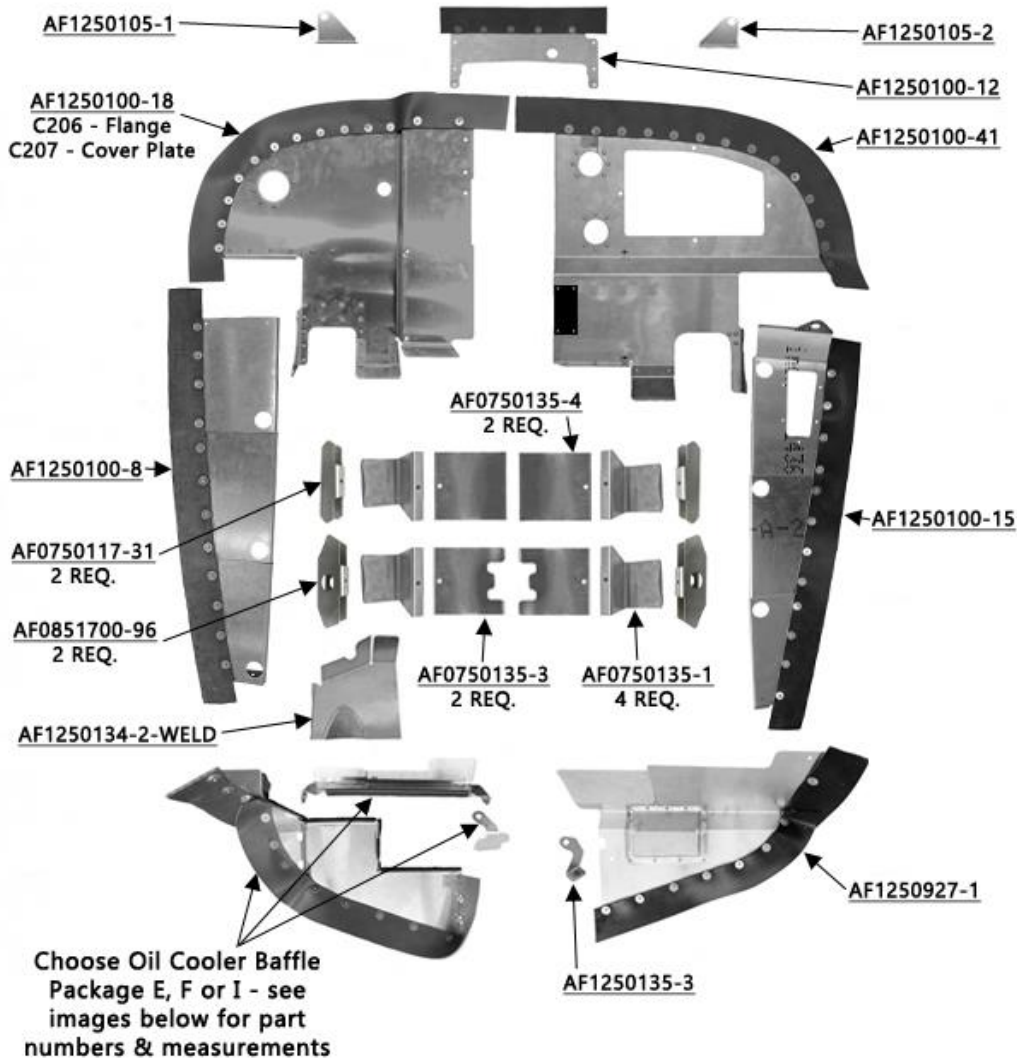
Eligibility: 206 (1964) S/N 206-0001 thru 0275, U206 (1965-71.5) S/N 206-0276 thru 01604 & 206-01619 thru 01632 C207 (1969-75): S/N 207-00001 thru 00268	
Orange and blue seals are available at an additional cost*	
Bare Metal Kits	Description
C206-64715-PKGE-BRBK	C206 (1964-71.5) Baffle Set - Bare Metal with Black Seal, Package E Oil Cooler Baffles
C206-64715-PKGF-BRBK	C206 (1964-71.5) Baffle Set - Bare Metal with Black Seal, Package F Oil Cooler Baffles
C206-64715-PKGI-BRBK	C206 (1964-71.5) Baffle Set - Bare Metal with Black Seal, Package I Oil Cooler Baffles
Powder Coated Kits	Description
C206-64715-PKGE-PCBK	C206 (64-71.5) Baffle Set - Powder Coated with Black Seal, Package E Oil Cooler Baffles
C206-64715-PKGF-PCBK	C206 (64-71.5) Baffle Set - Powder Coated with Black Seal, Package F Oil Cooler Baffles
C206-64715-PKGI-PCBK	C206 (64-71.5) Baffle Set - Powder Coated with Black Seal, Package I Oil Cooler Baffles
Seal Kits	Description
SEALKIT-C206207-PKGE-BK	C206 (64-71.5) & C207 (69-75) Black Seal Kit, Package E Oil Cooler Seals

**FAA PMA ENGINE Baffles for CESSNA AIRCRAFT
 CESSNA P206 (1965-1970)**



Eligibility: P206 (1965-70) S/N: P206-0001 thru 206-00647	
Orange and blue seals are available at an additional cost	
Kit Part Numbers	Description
CP206-BRBK	CP206 (1965-70) Baffle Set - Bare Metal with Black Seals
CP206-PCBK	CP206 (1965-70) Baffle Set - Bare Metal with Black Seals
SEALKIT-CP206-BK	CP206 (1965-70) Black Seal Kit

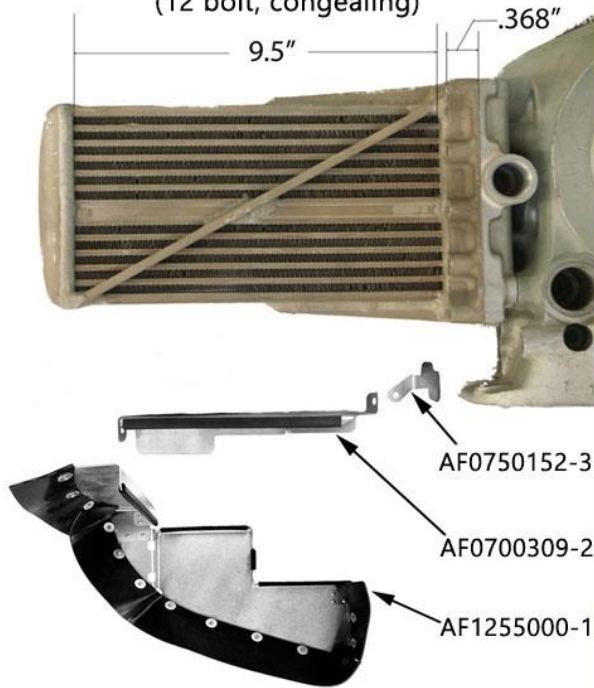
**FAA PMA ENGINE Baffles for CESSNA AIRCRAFT
 CESSNA 207 (1969-1975)**



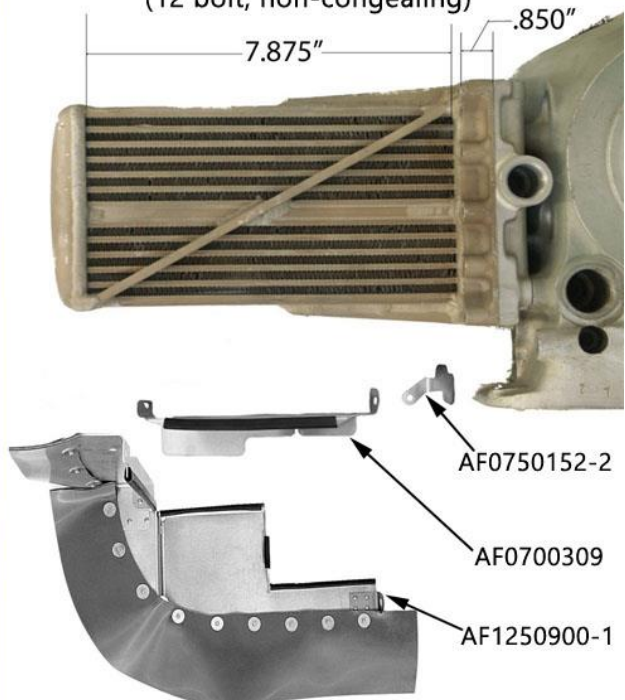
Eligibility: (1969-75) S/N 207-00001 thru 00268	
Orange and blue seals are available at an additional cost	
Bare Metal Kits	Description
C207-6975-PKGE-BRBK	C207 (1969-75) Baffle Set - Bare Metal with Black Seal, Package E Oil Cooler Baffles
C207-6975-PKGF-BRBK	C207 (1969-75) Baffle Set - Bare Metal with Black Seal, Package F Oil Cooler Baffles
C207-6975-PKGI-BRBK	C207 (1969-75) Baffle Set - Bare Metal with Black Seal, Package I Oil Cooler Baffles
Powder Coated Kits	Description
C207-6975-PKGE-PCBK	C207 (1969-75) Baffle Set - Powder Coated with Black Seal, Package E Oil Cooler Baffles
C207-6975-PKGF-PCBK	C207 (1969-75) Baffle Set - Powder Coated with Black Seal, Package F Oil Cooler Baffles
C207-6975-PKGI-PCBK	C207 (1969-75) Baffle Set - Powder Coated with Black Seal, Package I Oil Cooler Baffles
Seal Kits	Description
SEALKIT-C206207-PKGE-BK	C206 (1964-71.5) & C207 (1969-75) Black Seal Kit, Package E Oil Cooler Seals

CESSNA 206 (1964-1971.5) // 207 (1969-1975) Oil Cooler Baffle Options

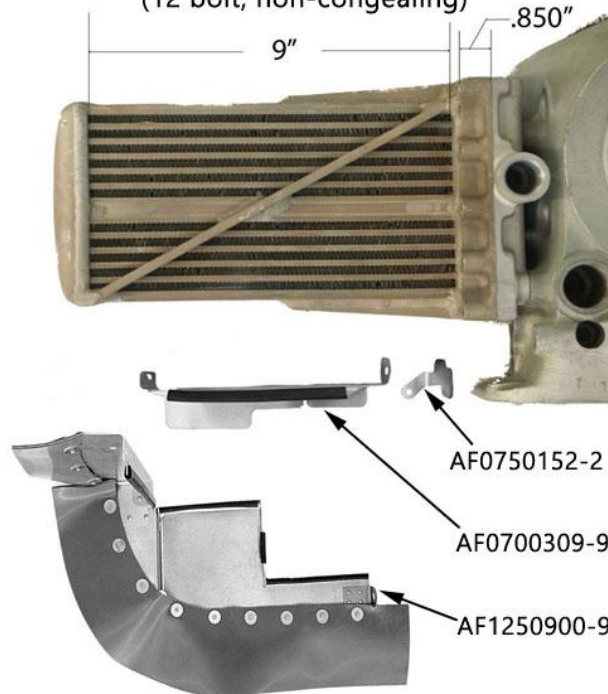
PACKAGE E - OIL COOLER Baffles
(12 bolt, congealing)



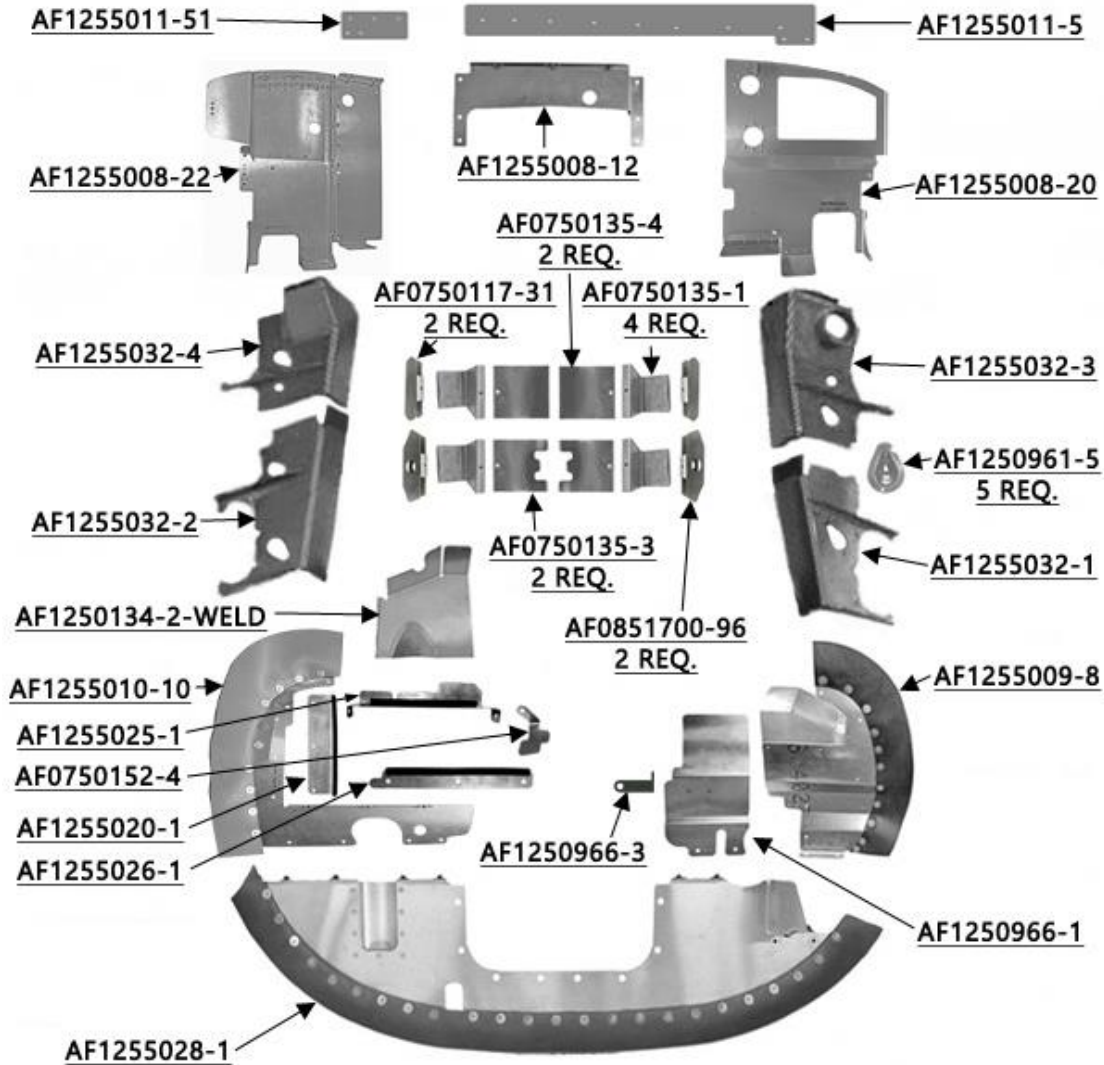
PACKAGE F - OIL COOLER Baffles
(12 bolt, non-congealing)



PACKAGE I - OIL COOLER Baffles
(12 bolt, non-congealing)

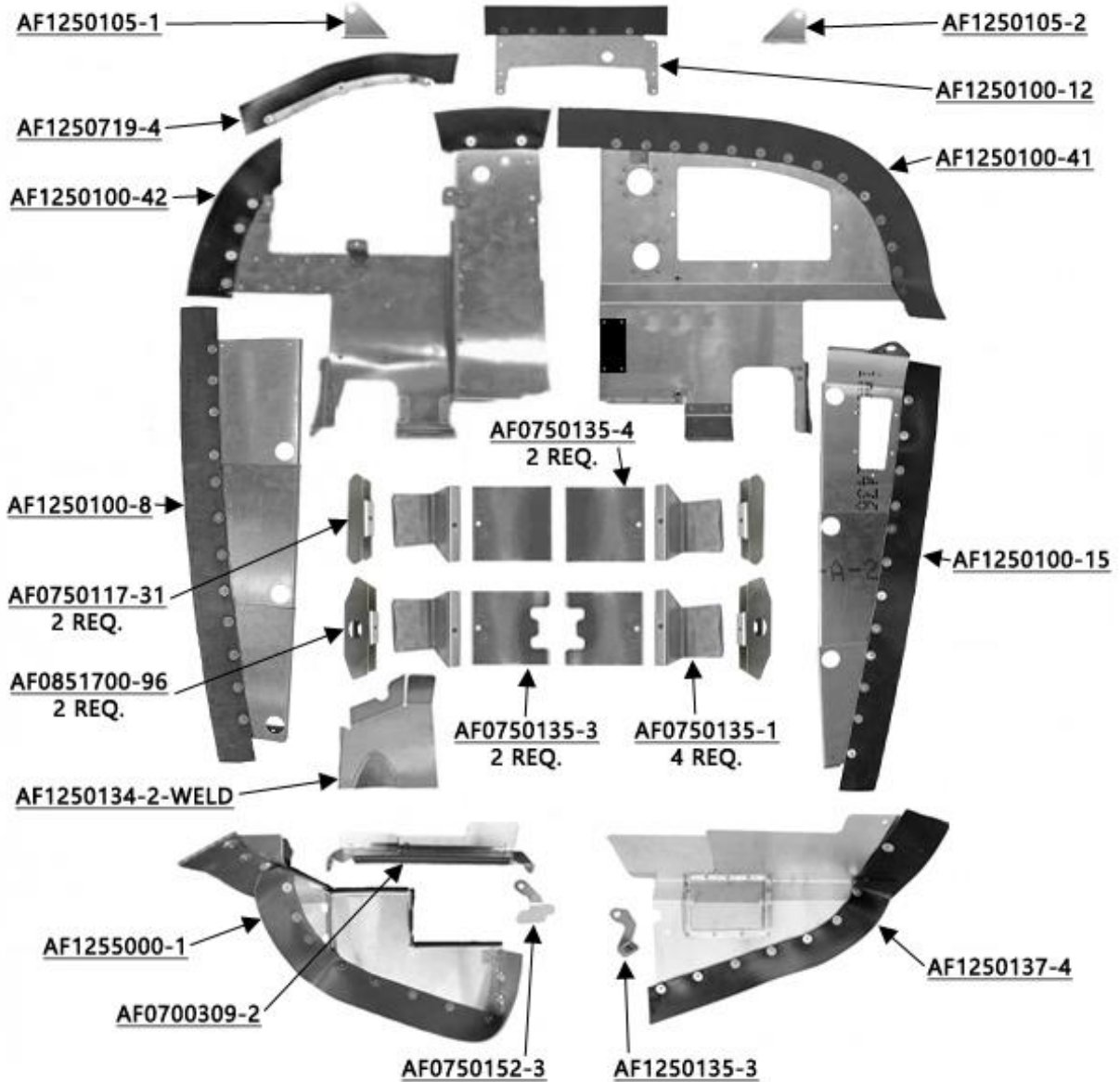


**FAA PMA ENGINE Baffles for CESSNA AIRCRAFT
 CESSNA 206 (1974-1986)**



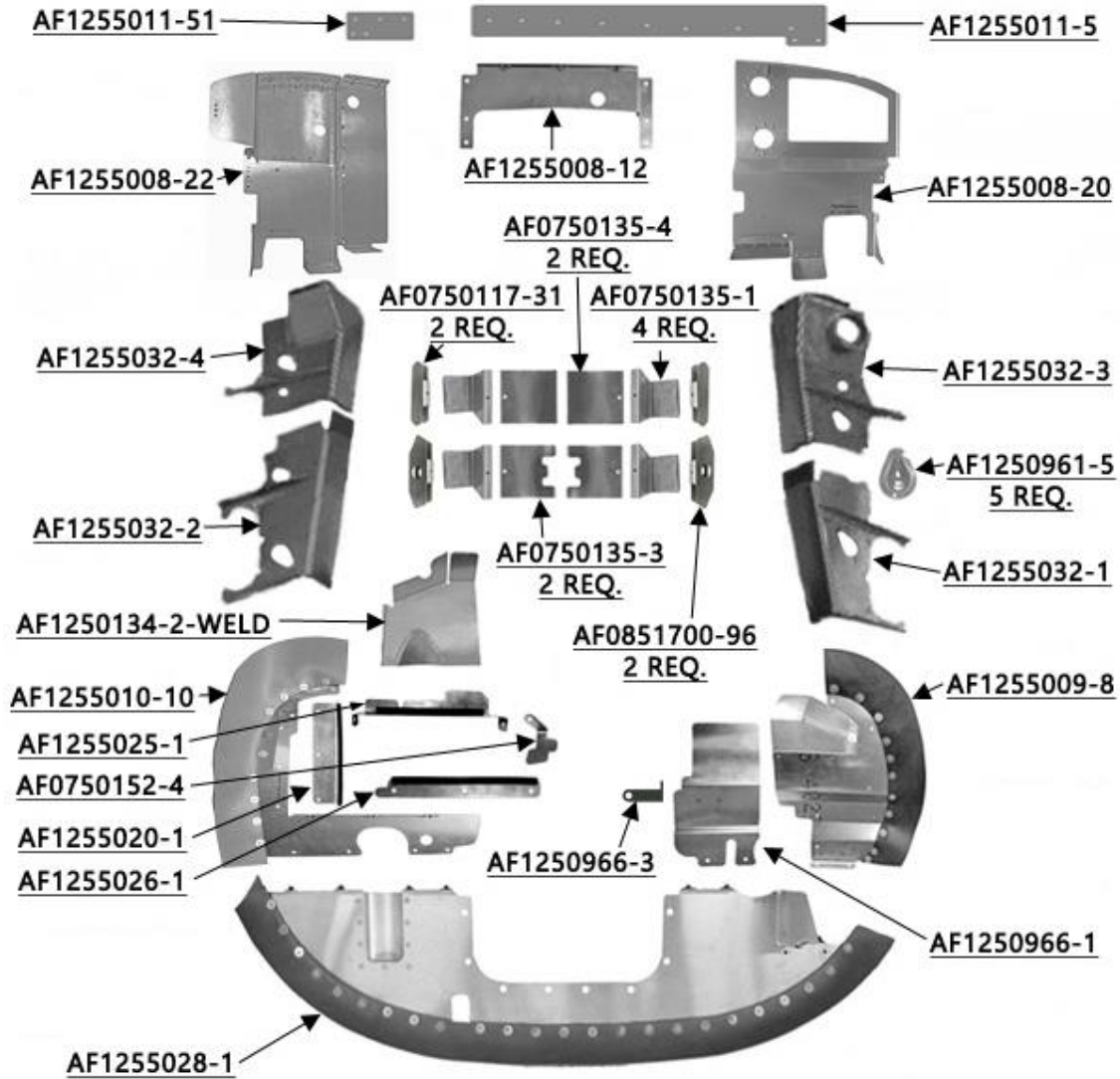
Eligibility: U206 (1974-86) S/N U206-02200 thru 07020	
Orange and blue seals are available at an additional cost	
Kit Part Number	Description
C206-7486BRBK	C206 (1974-86) Baffle Set - Bare Metal with Black Seal, Includes Cowling Seals
C206-7486PCBK	C206 (1974-86) Baffle Set - Powder Coated with Black Seal, Includes Cowling Seals
SEALKIT-C206-7486-BK	C206 (1974-86) Black Seal Kit, Includes Cowling Seals

**FAA PMA ENGINE Baffles for CESSNA AIRCRAFT
 CESSNA 210 (1970-1973)**



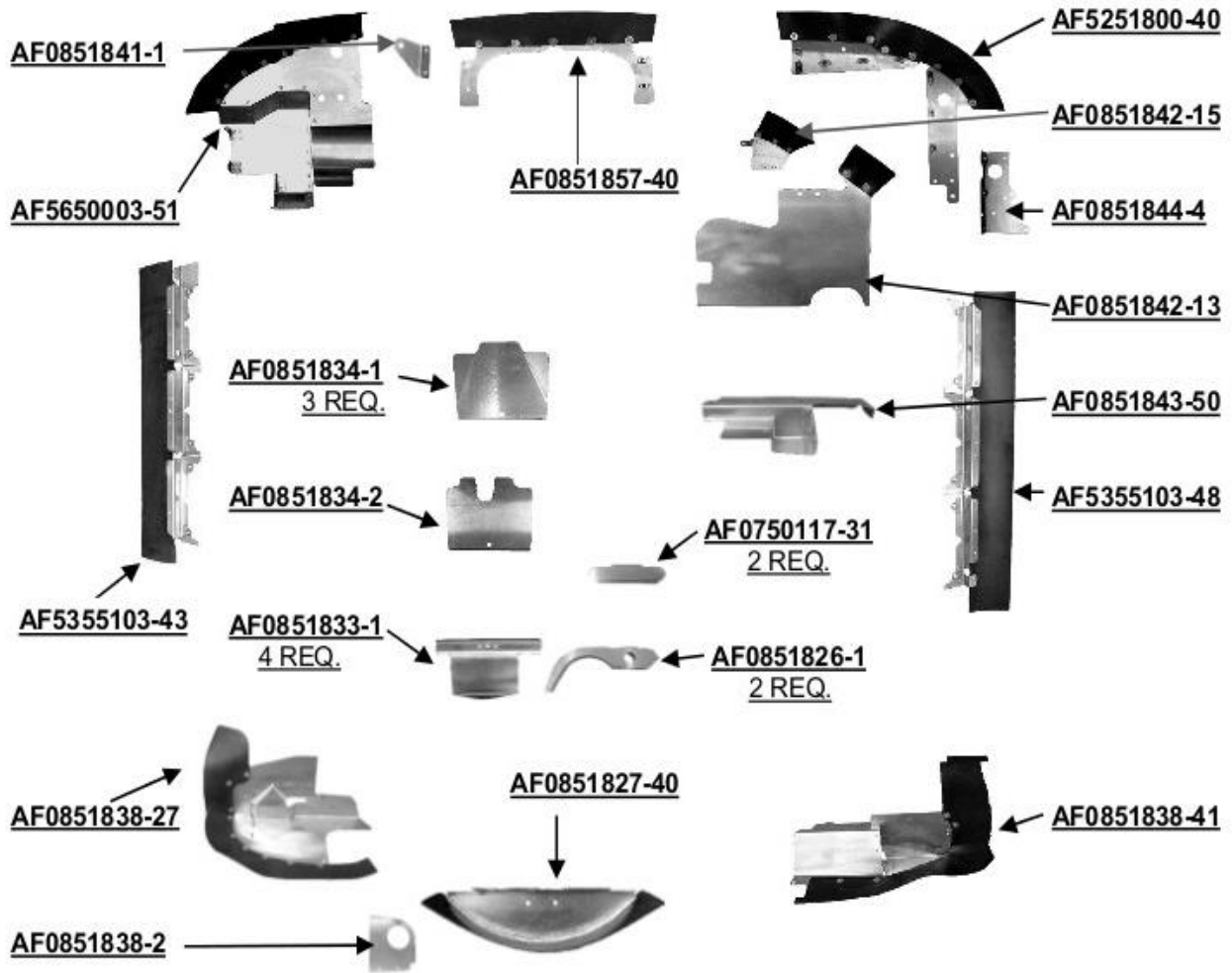
Eligibility: (1970-73) S/N 210-59200 thru 60089	
Orange and blue seals are available at an additional cost	
Kit Part Number	Description
C210-7073BRBK	C210 (1970-73) Baffle Set - Bare Metal with Black Seal
C210-7073PCBK	C210 (1970-73) Baffle Set - Powder Coated with Black Seal
SEALKIT-C210-7073-BK	C210 (1970-73) Black Seal Kit

**FAA PMA ENGINE Baffles for CESSNA AIRCRAFT
 CESSNA 210 (1976-1980)**



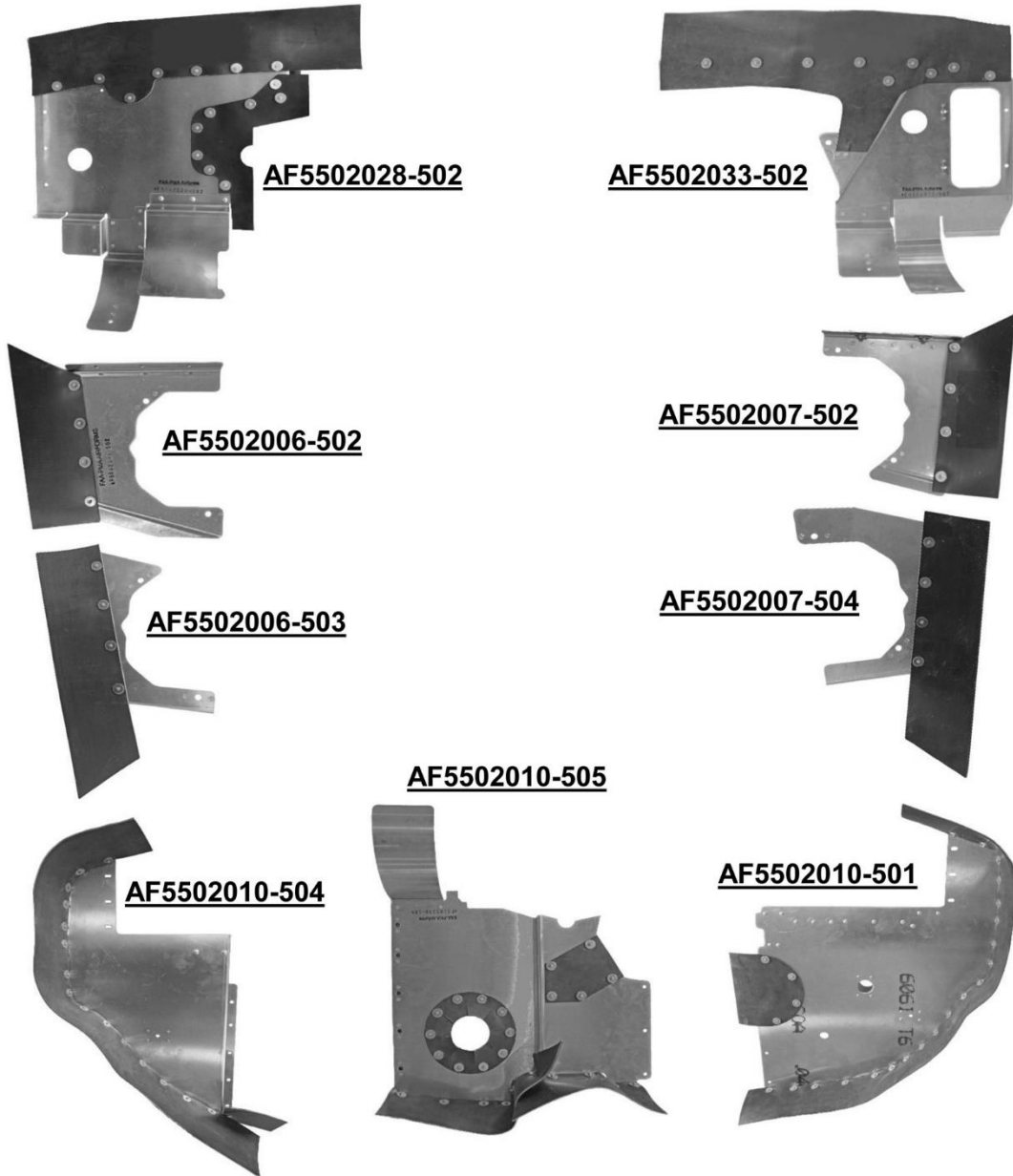
Eligibility: (1976-80) S/N 210-61040 thru 64135	
Orange and blue seals are available at an additional cost	
Kit Part Number	Description
C210-7680BRBK	C210 (1976-80) Baffle Set - Bare Metal with Black Seal, Includes Cowling Seals
C210-7680PCBK	C210 (1976-80) Baffle Set - Powder Coated with Black Seal, Includes Cowling Seals
SEALKIT-C210-7680-BK	C210 (1976-80) Black Seal Kit, Includes Cowling Seals

**FAA PMA ENGINE Baffles for CESSNA AIRCRAFT
 CESSNA 402C, 414A**



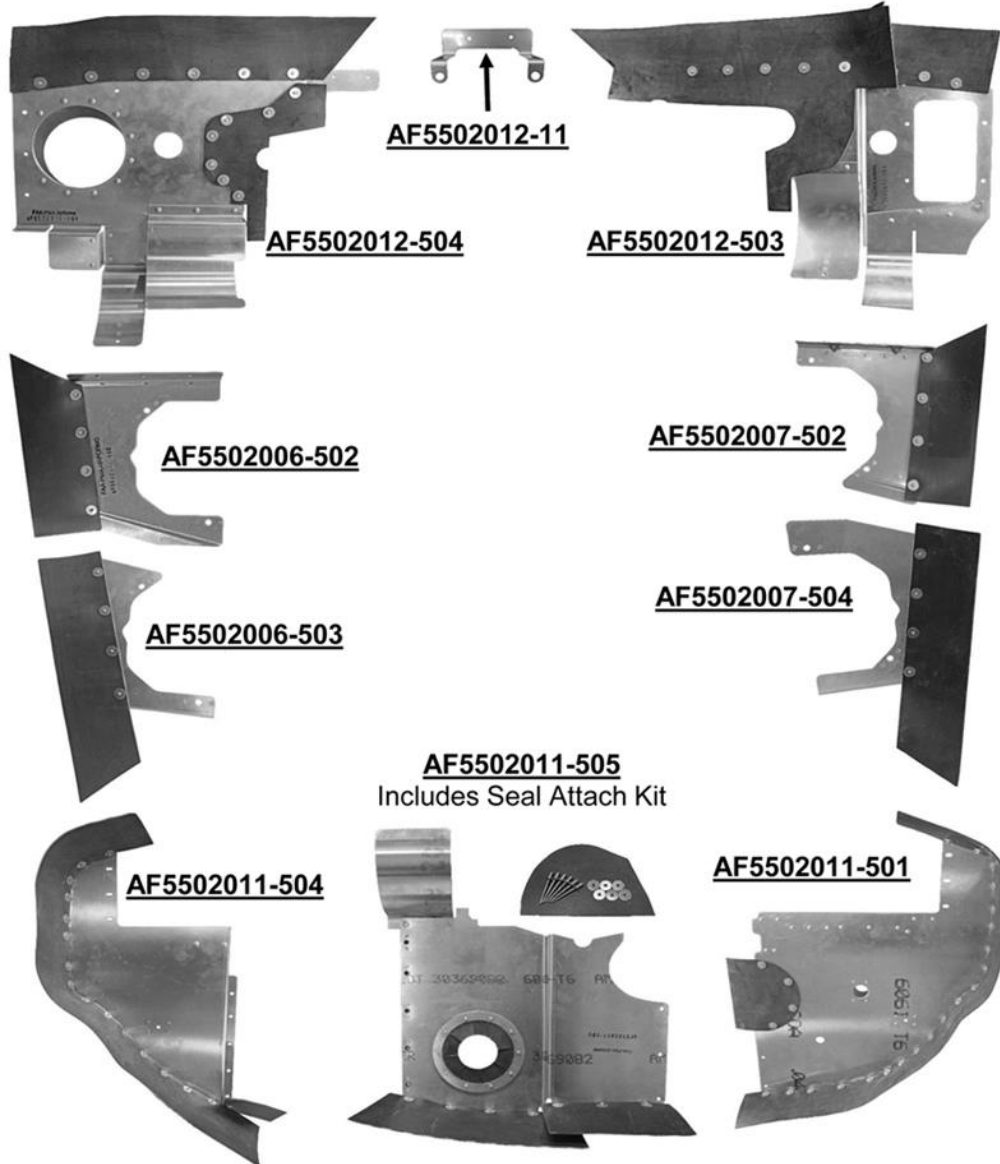
ELIGIBILITY: 402C & 414A, All Serial Numbers	
Orange and blue seals are available at an additional cost	
Kit Part Number	Description
C402414-BRBK	C402C/414A Baffle Set - Bare Metal with Black Seal
C402414-PCBK	C402C/414A Baffle Set - Powder Coated with Black Seal
SEALKIT-C402414-BK	C402C/414A Black Seal Kit

FAA PMA ENGINE Baffles for Grumman Aircraft
Grumman AA-5A Cheetah



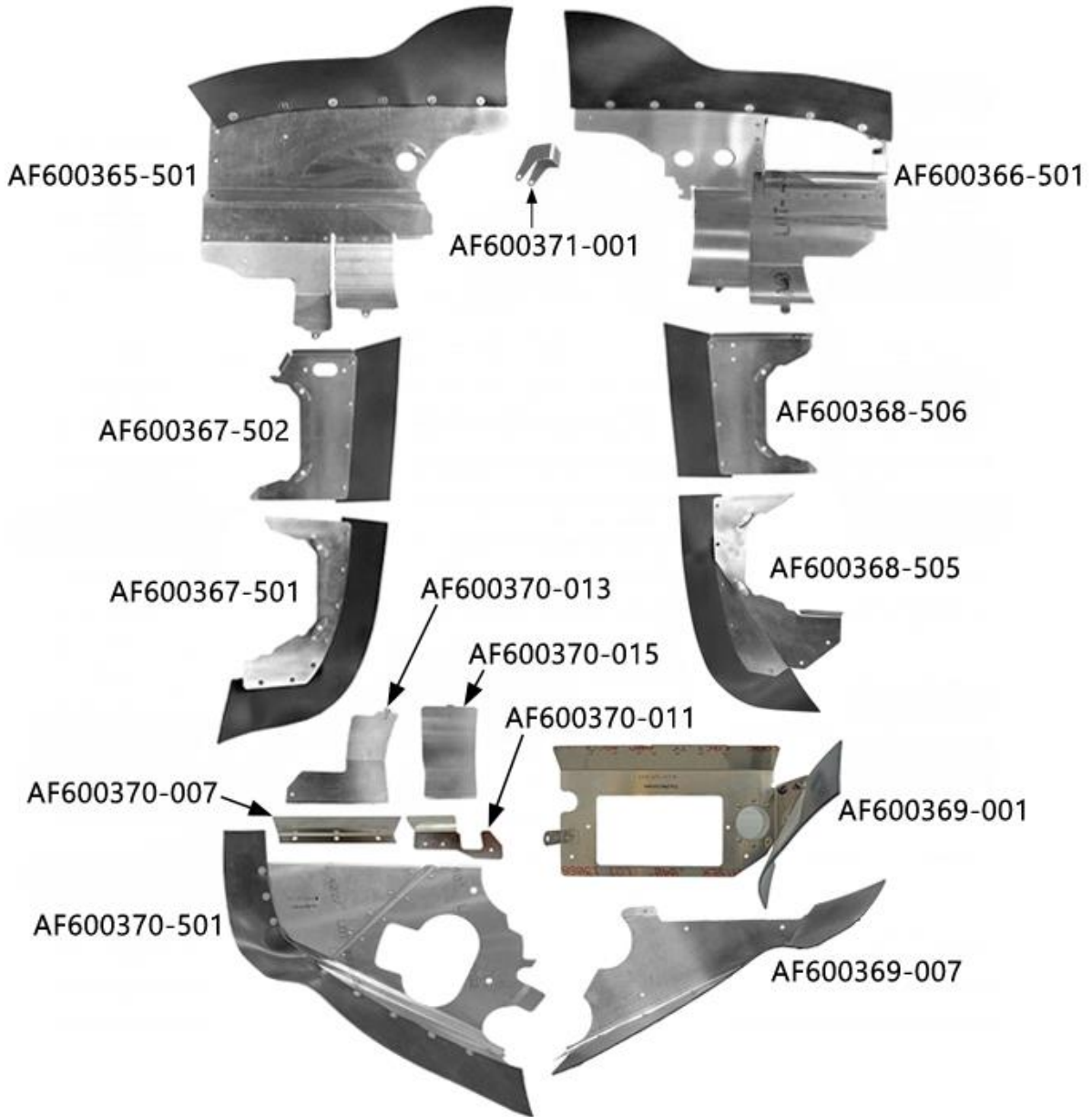
ELIGIBILITY: AA-5A, All Serial Numbers	
Orange and blue seals are available at an additional cost	
Kit Part Number	Description
AA5A-BRBK	Grumman AA-5A Baffle Set - Bare Metal with Black Seal
AA5A-PCBK	Grumman AA-5A Baffle Set - Powder Coated with Black Seal
SEALKIT-AA5A-BK	Grumman AA-5A Baffle Set - Black Seal Kit

FAA PMA ENGINE Baffles for Grumman Aircraft
Grumman AA-5B Tiger



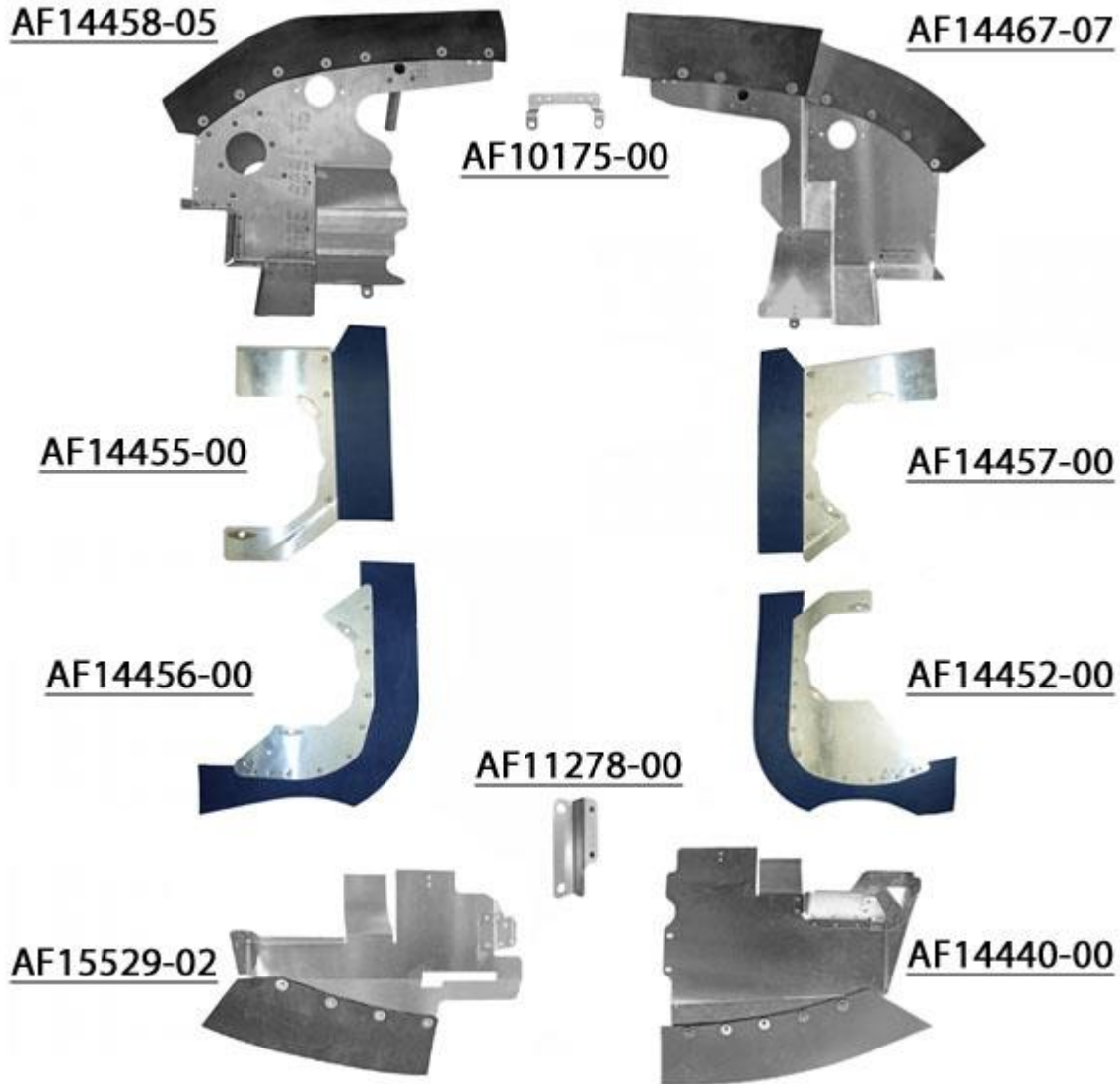
ELIGIBILITY: AA-5B, All Serial Numbers	
Orange and blue seals are available at an additional cost	
Kit Part Number	Description
AA5B-BRBK	Grumman AA-5B Baffle Set - Bare Metal with Black Seal
AA5B-PCBK	Grumman AA-5B Baffle Set - Powder Coated with Black Seal
SEALKIT-AA5B-BK	Grumman AA-5B Black Seal Kit

FAA PMA ENGINE Baffles for Mooney Aircraft
Mooney M20J



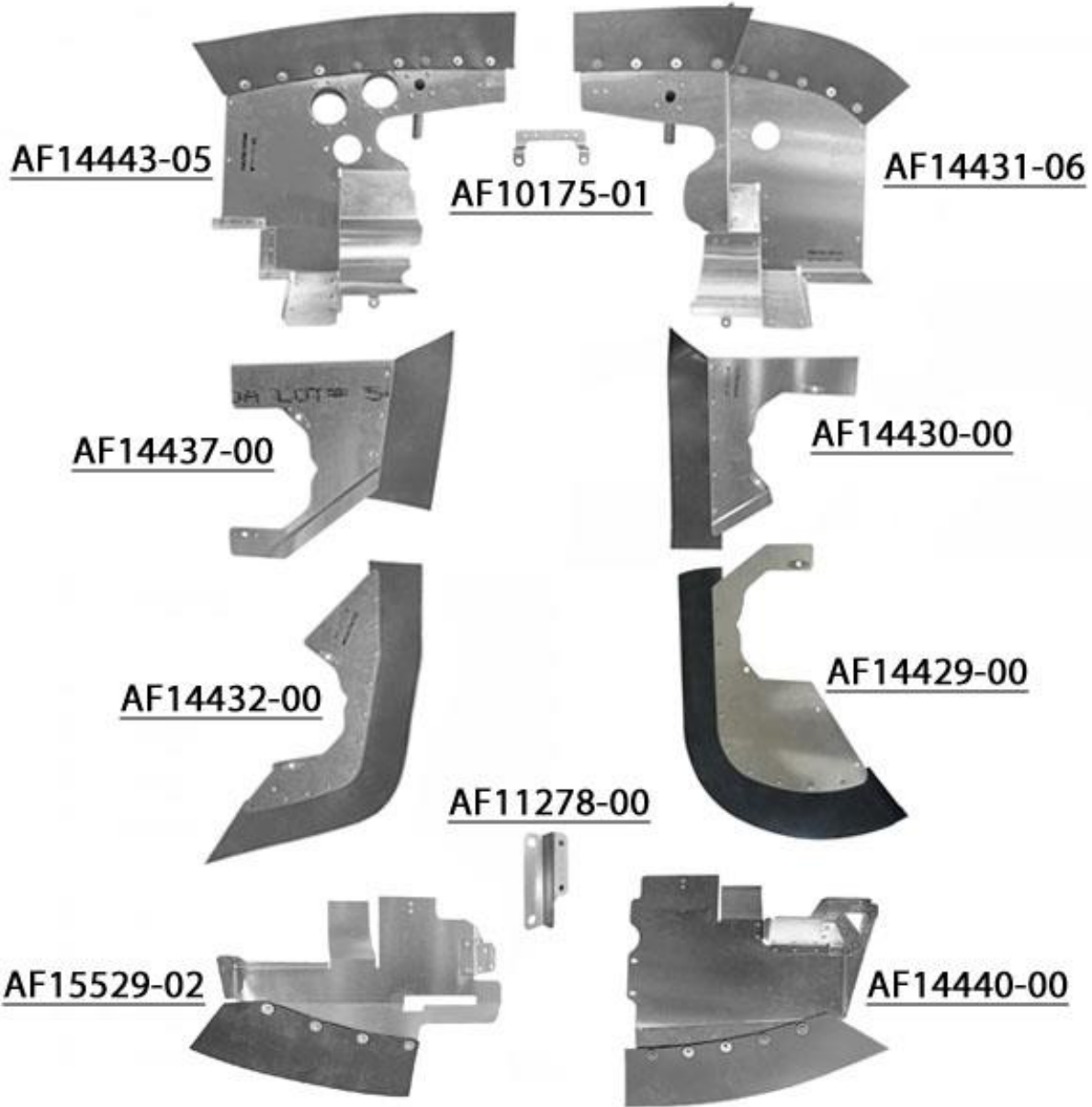
ELIGIBILITY: M20J, ALL Serial Numbers	
Orange and blue seals are available at an additional cost	
Kit Part Number	Description
M20J-BRBK	Mooney M20J Baffle Set - Bare Metal with Black Seal
M20J-PCBK	Mooney M20J Baffle Set - Powder Coated with Black Seal
SEALKIT-M20J-BK	Mooney M20J Black Seal Kit

**FAA PMA ENGINE Baffles for PIPER Aircraft
 PIPER PA-18-150**



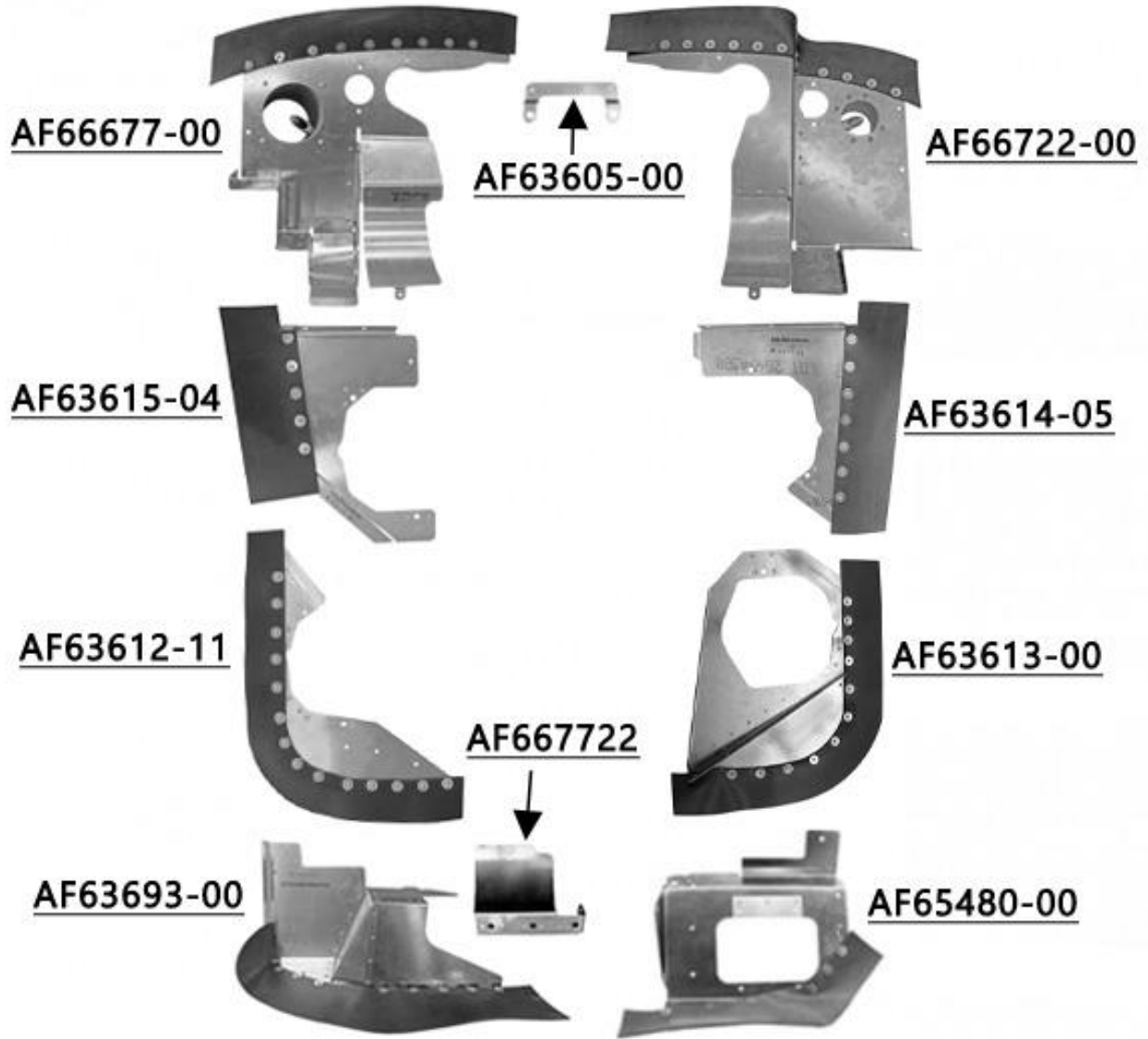
ELIGIBILITY: S/N 18-3781 thru 18-09079, 18-09088, 18-09100, and 18-09113	
Orange and blue seals are available at an additional cost	
Kit Part Number	Description
PA18150-BRBK	PA-18-150 Baffle Set - Bare Metal with Black Seal
PA18150-PCBK	PA-18-150 Baffle Set - Powder Coated with Black Seal
SEALKIT-PA18150-BK	PA-18-150 Black Seal Kit

**FAA PMA ENGINE BAFFLES FOR PIPER AIRCRAFT
 PIPER PA-22-150**



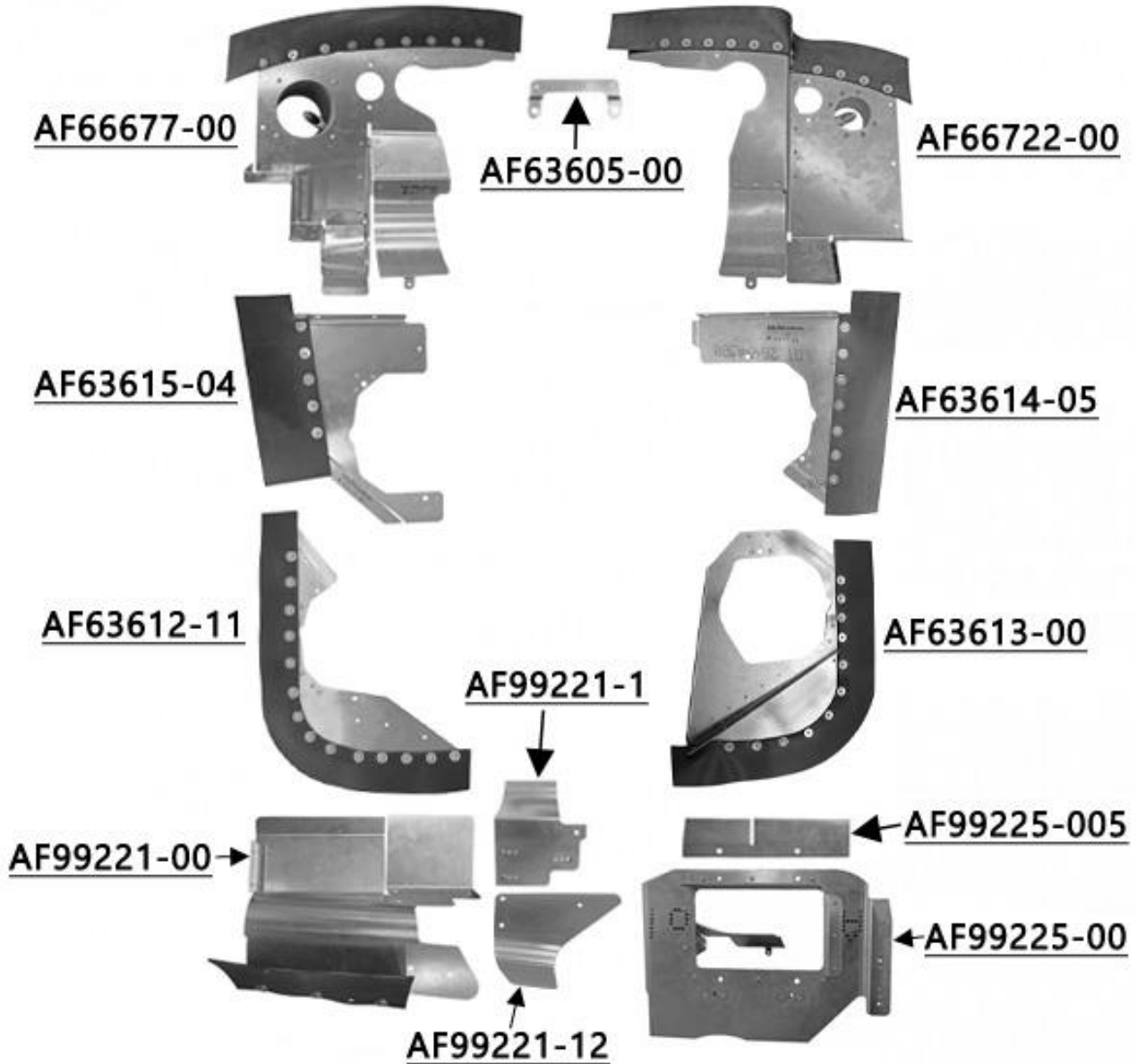
ELIGIBILITY: S/N 22-2425 thru 22-7630	
Orange and blue seals are available at an additional cost	
Kit Part Number	Description
PA22150-BRBK	PA-22-150 Baffle Set - Bare Metal with Black Seal
PA22150-PCBK	PA-22-150 Baffle Set - Powder Coated with Black Seal
SEALKIT-PA22150-BK	PA-22-150 Black Seal Kit

**FAA PMA ENGINE BAFFLES FOR PIPER AIRCRAFT
 PIPER PA-28-140 (1964 -1971.5)**



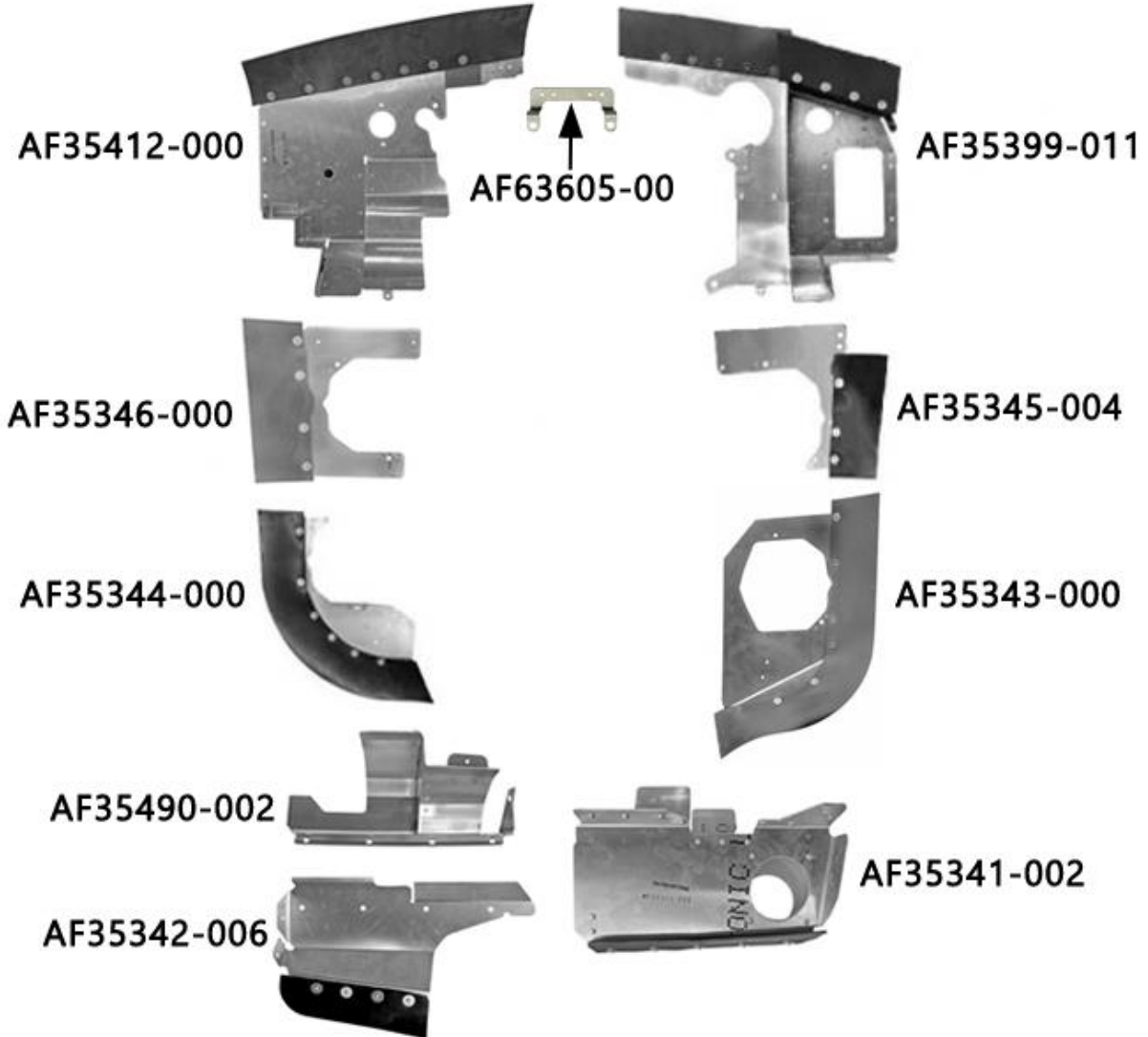
ELIGIBILITY: (1964-71.5) S/N 28-20002 thru 28-7125471	
Orange and blue seals are available at an additional cost	
Kit Part Number	Description
PA28140-64715BRBK	PA-28-140 (1964-71.5) Baffle Set - Bare Metal with Black Seal
PA28140-64715PCBK	PA-28-140 (1964-71.5) Baffle Set - Powder Coated with Black Seal
SEALKIT-PA28140-64715-BK	PA-28-140 (1964-71.5) Black Seal Kit

**FAA PMA ENGINE BAFFLES FOR PIPER AIRCRAFT
 PIPER PA-28-140 (1971.5 -1977)**



ELIGIBILITY: (1971.5-77) S/N 28-7125472 & on (ends at 28-7725291)	
Orange and blue seals are available at an additional cost	
Kit Part Number	Description
PA28140-71577BRBK	PA-28-140 (1971.5-77) Baffle Set - Bare Metal with Black Seal
PA28140-71577PCBK	PA-28-140 (1971.5-77) Baffle Set - Powder Coated with Black Seal
SEALKIT-PA28140-71577-BK	PA-28-140 (1971.5-77) Black Seal Kit

**FAA PMA ENGINE BAFFLES FOR PIPER AIRCRAFT
 PIPER PA-28-161**



ELIGIBILITY: S/N 28-7716001 thru 28-8116176, 28-8316001 & on	
Orange and blue seals are available at an additional cost	
Kit Part Number	Description
PA28161-BRBK	PA-28-161 Baffle Set - Bare Metal with Black Seal
PA28161-PCBK	PA-28-161 Baffle Set - Powder Coated with Black Seal
SEALKIT-PA28161-BK	PA-28-161 Black Seal Kit

**FAA PMA ENGINE BAFFLES FOR PIPER AIRCRAFT
 PIPER PA-28R-180 (1967-1971)**



AF62383-03
 RH Rear

AF63605-00
 Rear Center
 Bracket

AF67638-00
 LH Rear

AF67629-00
 RH Rear Rocker

AF67630-00
 LH Rear Rocker

AF67631-00
 RH FWD Rocker

AF67632-00
 LH FWD Rocker

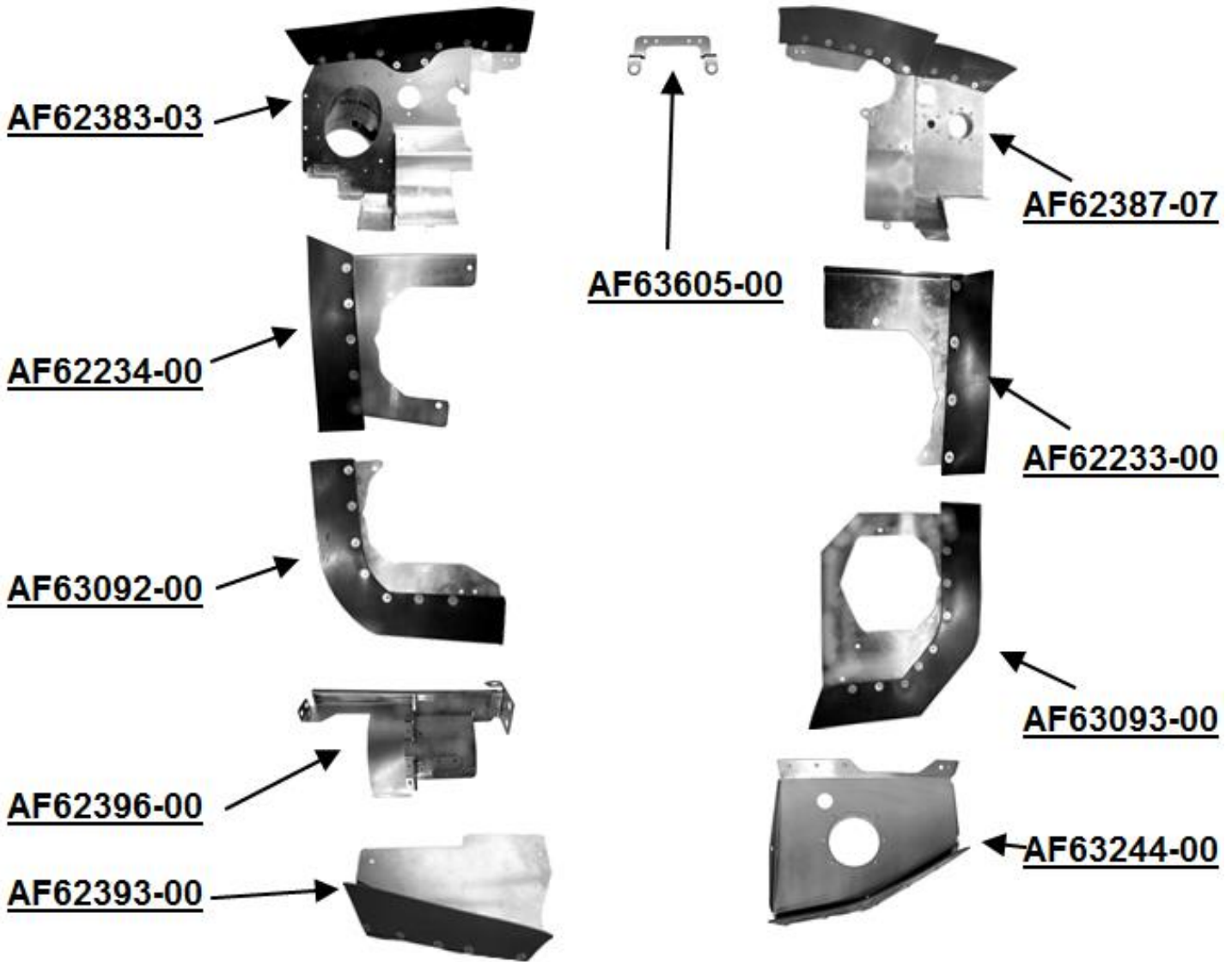
AF67622-00
 RH FWD
 Cylinder Wrap

AF67628-00
 RH FWD

AF67634-00
 LH FWD

ELIGIBILITY: (1967-71) S/N 28R30004 thru 28R31270, 28R7130001 thru 28R7130013	
Orange and blue seals are available at an additional cost	
Kit Part Number	Description
PA28R180-BRBK	PA-28R-180 (1967-71) Baffle Set - Bare Aluminum with Black Seal
PA28R180-PCBK	PA-28R-180 (1967-71) Baffle Set - Powder Coated with Black Seal
SEALKIT-PA28R180-BK	PA-28R-180 (1967-71) Black Seal Kit

**FAA PMA ENGINE BAFFLES FOR PIPER AIRCRAFT
 PIPER PA-28-180 (1965-1972.5)**



ELIGIBILITY: (1965-72.5) S/N 28-1761 thru 28-720591	
Orange and blue seals are available at an additional cost	
Kit Part Number	Description
PA28180-65725BRBK	PA-28-180 (1965-72.5) Baffle Set - Bare Aluminum with Black Seal
PA28180-65725PCBK	PA-28-180 (1965-72.5) Baffle Set - Powder Coated with Black Seal
SEALKIT-PA28180-65725-BK	PA-28-180 (1965-72.5) Black Seal Kit

**FAA PMA ENGINE BAFFLES FOR PIPER AIRCRAFT
 PIPER PA-28-180 (1972.5-1975)**

AF67769-00



AF62383-03

AF63605-00

AF62387-07

AF62234-00

AF62233-00

AF63092-00

AF63093-00

AF99577-00

AF99578-00

AF99573-00

AF99578-01

AF99771-00

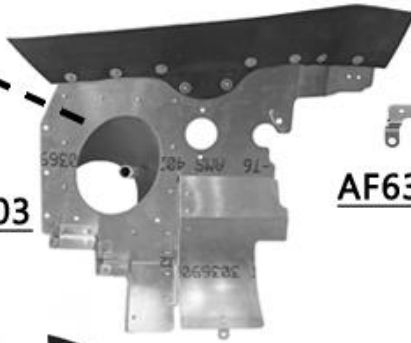
ELIGIBILITY: (1972.5-75) S/N 28-7205092 thru 28-7505259	
Orange and blue seals are available at an additional cost	
Kit Part Number	Description
PA28180-72.575BRBK	PA-28-180 (1972.5-75) Baffle Set - Bare Metal with Black Seal
PA28180-72.575PCBK	PA-28-180 (1972.5-75) Baffle Set - Powder Coated with Black Seal
SEALKIT-PA28180-72.575-BK	PA-28-180 (1972.5-75) Black Seal Kit

**FAA PMA ENGINE BAFFLES FOR PIPER AIRCRAFT
 PIPER PA-28-181 ARCHER 2**

AF67769-00



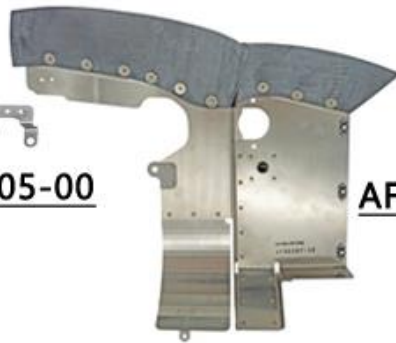
AF62383-03



AF63605-00



AF62387-09



AF62234-00



AF62233-00



AF63092-00



AF63093-00



AF99577-00



AF99578-00



AF99573-00



AF99578-01



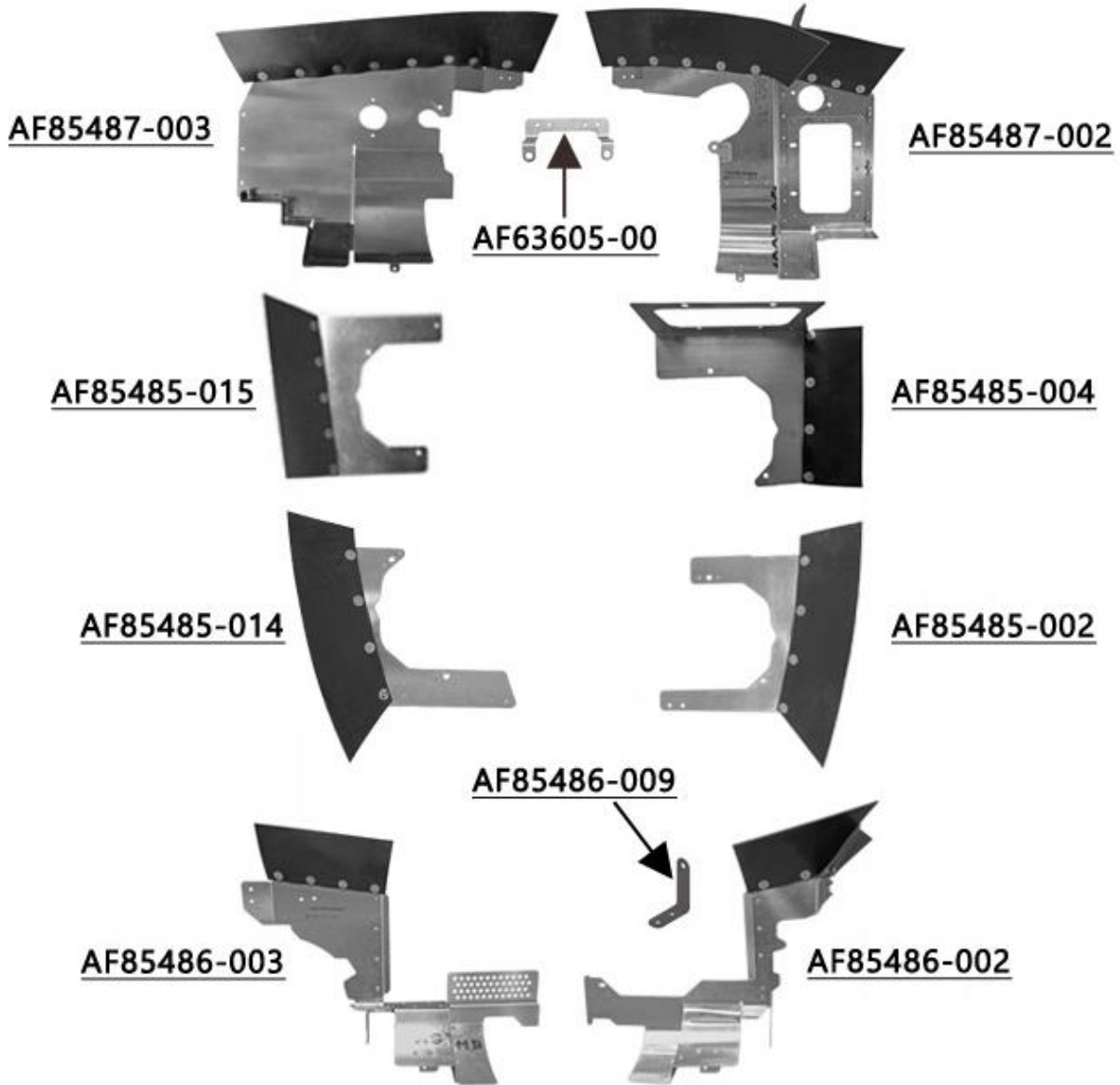
AF99771-00

ELIGIBILITY: S/N 28-8090001 and up

Orange and blue seals are available at an additional cost

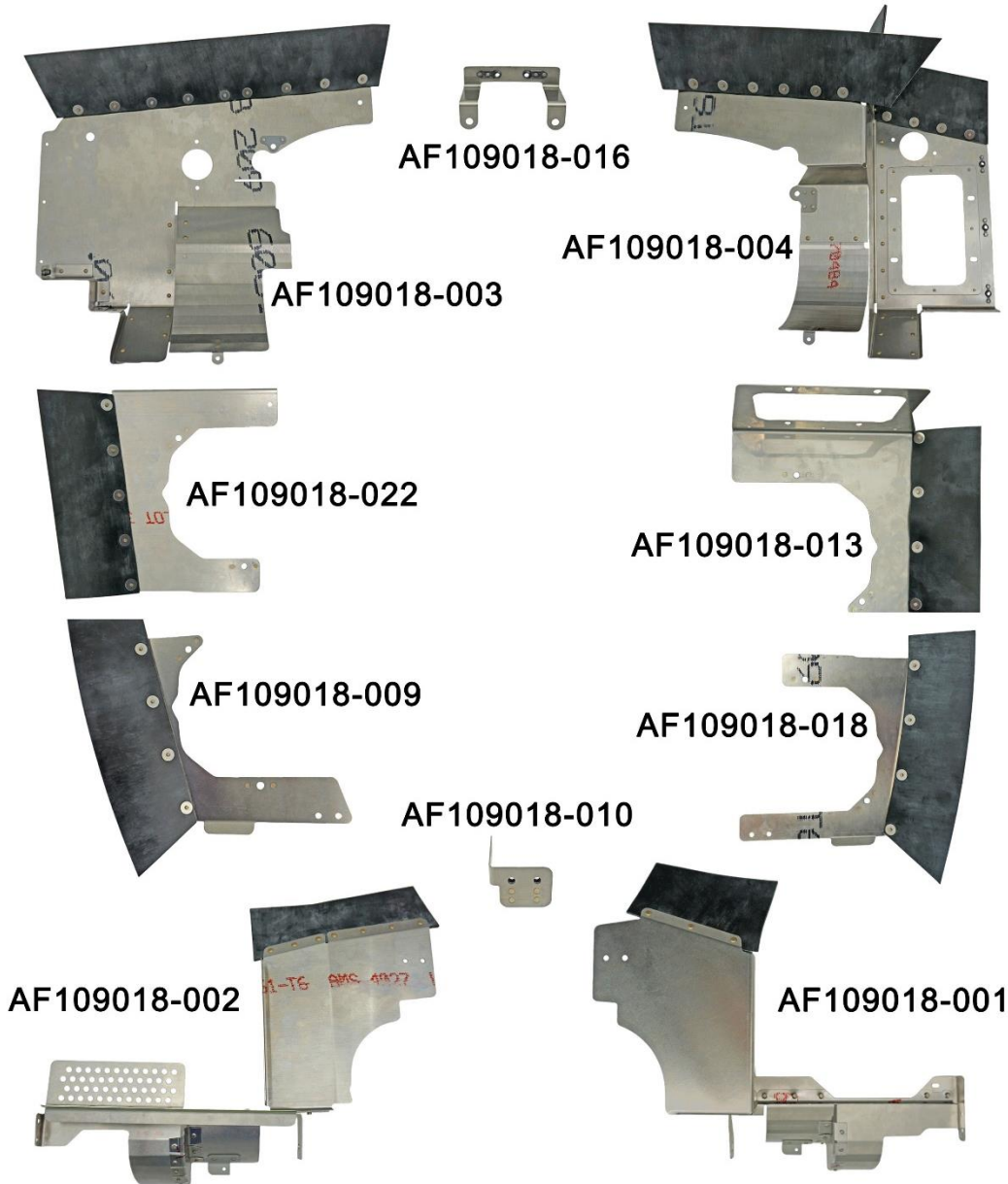
Kit Part Number	Description
PA28181-2BRBK	PA-28-181 Archer 2 Baffle Set - Bare Metal with Black Seal
PA28181-2PCBK	PA-28-181 Archer 2 Baffle Set - Powder Coated with Black Seal
SEALKIT-PA28181-2-BK	PA-28-181 Archer 2 Black Seal Kit

**FAA PMA ENGINE BAFFLES FOR PIPER AIRCRAFT
 PIPER PA-28-181 ARCHER 3**



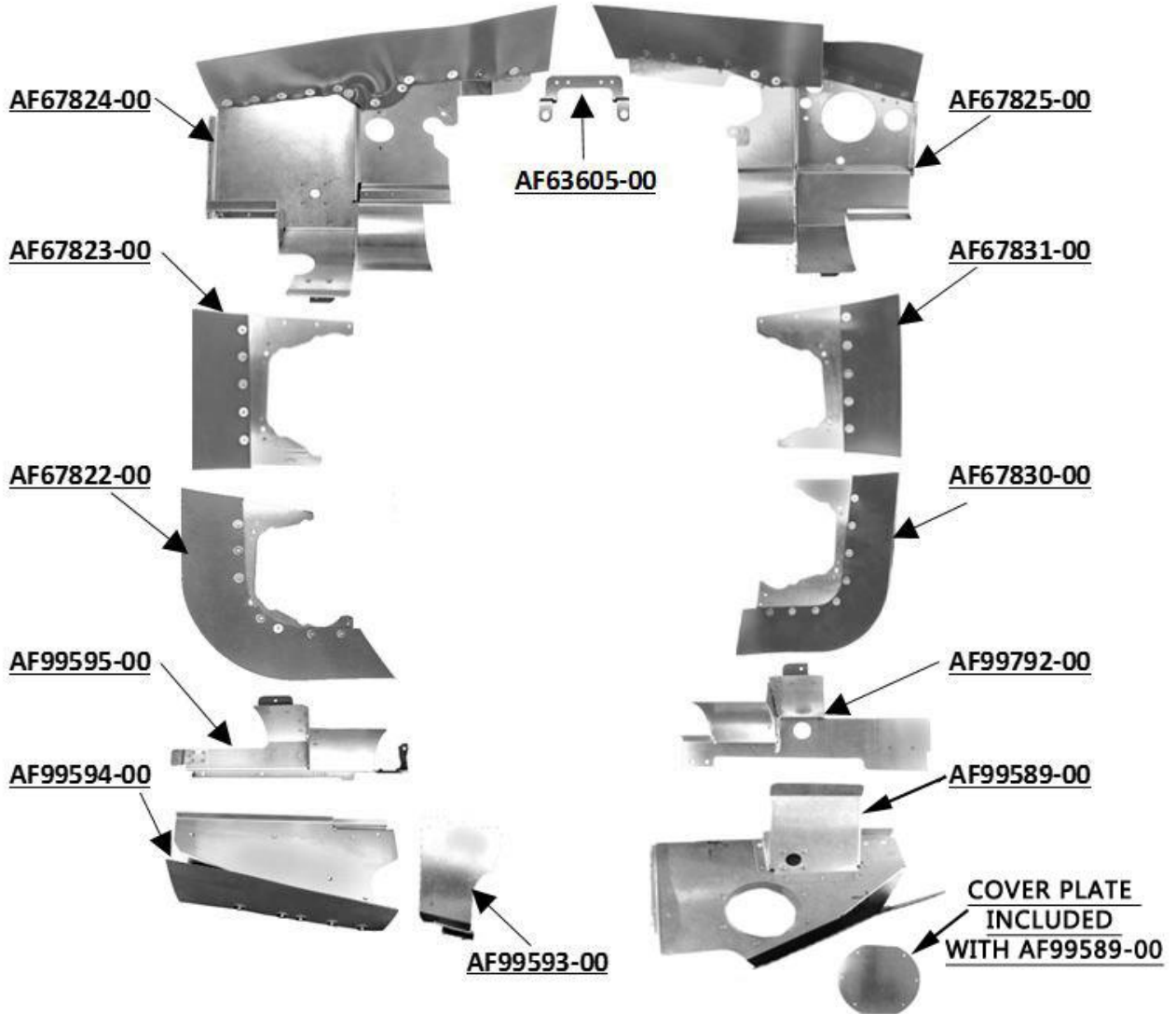
ELIGIBILITY: S/N 28-43001 & on – excluding fuel injected models	
Orange and blue seals are available at an additional cost	
Kit Part Number	Description
PA28181-3BRBK	PA-28-181 Archer 3 Baffle Set - Bare Metal with Black Seal
PA28181-3PCBK	PA-28-181 Archer 3 Baffle Set - Powder Coated with Black Seal
SEALKIT-PA28181-3-BK	PA-28-181 Archer 3 Black Seal Kit

**FAA PMA ENGINE BAFFLES FOR PIPER AIRCRAFT
 PIPER PA-28-181 ARCHER 3 Fuel Injected**



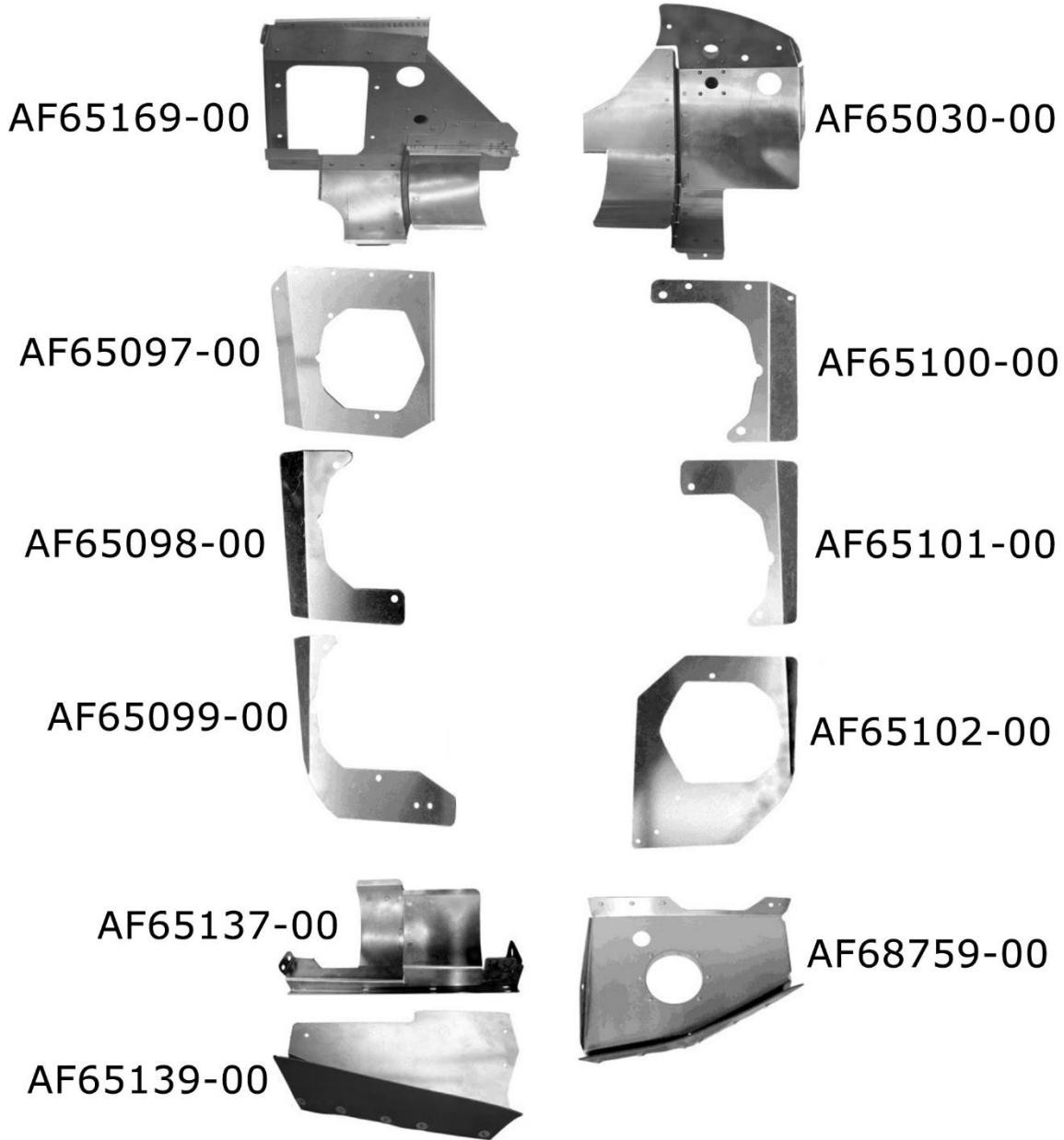
Piper Illustrated Parts Catalog Eligibility Codes: G, H, K, L, M, N, P, R & S (see website for serial numbers)	
Orange and blue seals are available at an additional cost	
Kit Part Number	Description
PA28181-3FI-BRBK	PA-28-181 Archer 3 Fuel Injected Baffle Set - Bare Metal with Black Seal
PA28181-3FI-PCBK	PA-28-181 Archer 3 Fuel Injected Baffle Set - Powder Coated with Black Seal
SEALKIT-PA28181-3FI-BK	PA-28-181 Archer 3 Fuel Injected Black Seal Kit

**FAA PMA ENGINE BAFFLES FOR PIPER AIRCRAFT
 PIPER PA-28R-200, PA-28R-201, PA28RT-201**



ELIGIBILITY:	
PA-28R-200	(1972-76) S/N 28R-7235001 thru 28R-7635545
PA-28R-201	(1977-Present) S/N 28R-7737001 & on
PA-28RT-201	(1979) S/N 28R-7918001 thru 7918306
Orange and blue seals are available at an additional cost	
Kit Part Number	Description
PA28R200-BRBK	PA-28R-200 & PA28R/28RT-201 Baffle Set - Bare Metal with Black Seal
PA28R200-PCBK	PA-28R-200 & PA28R/28RT-201 Baffle Set - Powder Coated with Black Seal
SEALKIT-PA28R200-BK	PA-28R-200 & PA28R/28RT-201 Black Seal Kit

**FAA PMA ENGINE BAFFLES FOR PIPER AIRCRAFT
 PIPER PA-28-235**



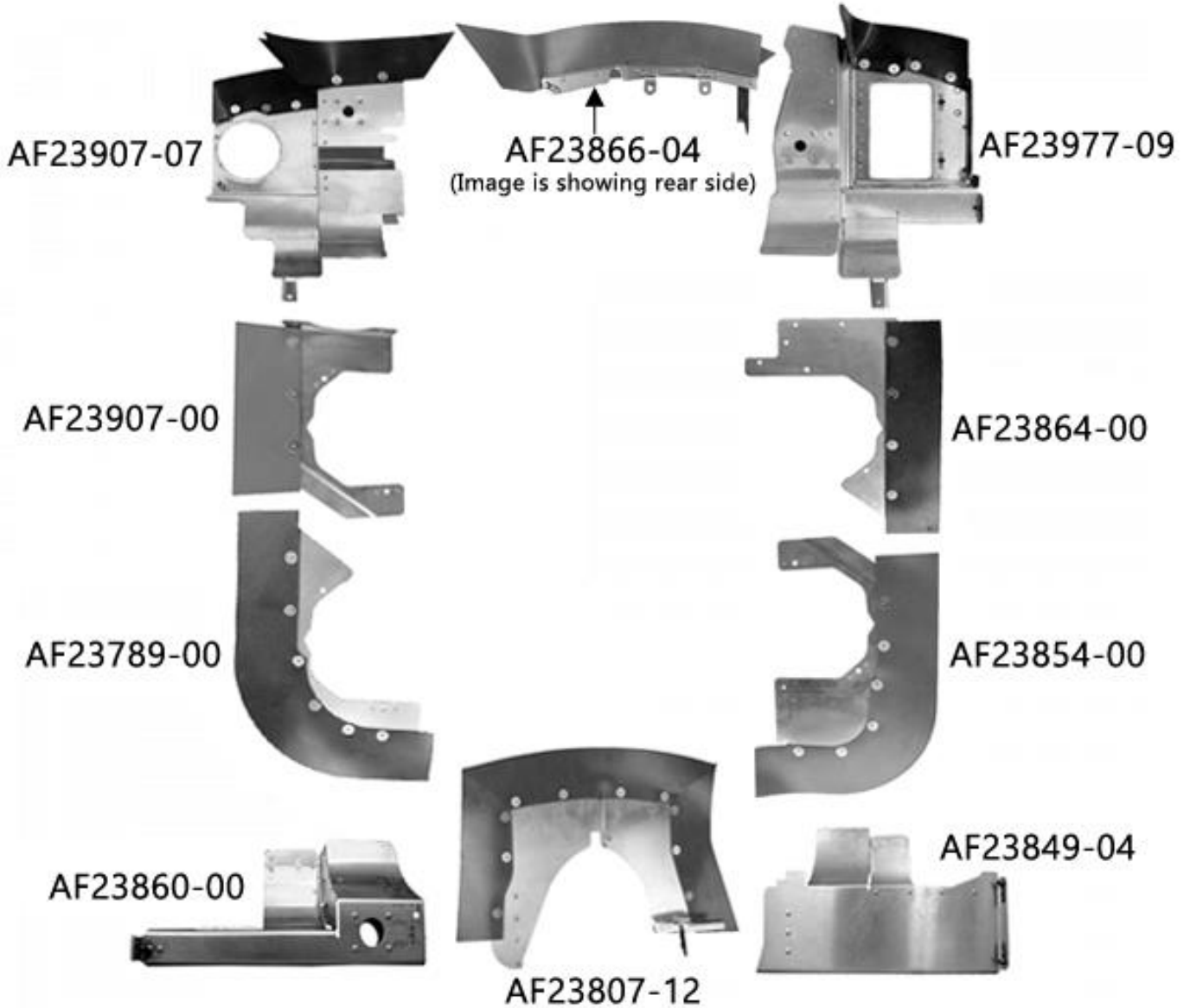
ELIGIBILITY: S/N 28-10003 thru 28-7210033	
Orange and blue seals are available at an additional cost	
Kit Part Number	Description
PA28235-BRBK	PA-28-235 Baffle Set - Bare Metal with Black Seal
PA28235-PCBK	PA-28-235 Baffle Set - Powder Coated with Black Seal
SEALKIT-PA28235-BK	PA-28-235 Black Seal Kit

**FAA PMA ENGINE BAFFLES FOR PIPER AIRCRAFT
 PIPER PA-28-236**



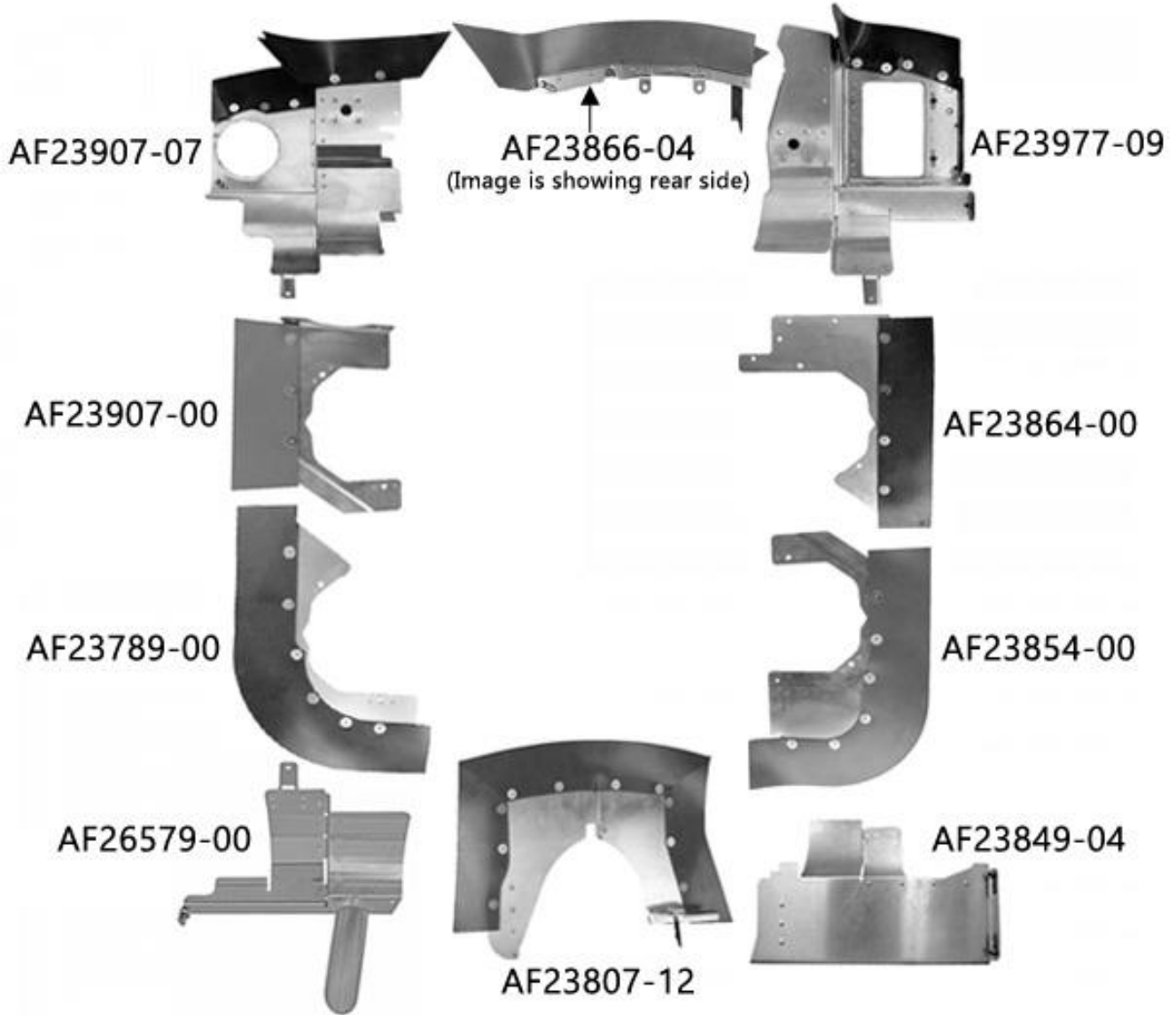
ELIGIBILITY: S/N 28-11001 thru 11050, 28-45001 and on, 28-7911001 thru 8611008	
Orange and blue seals are available at an additional cost	
Kit Part Number	Description
PA28236-BRBK	PA-28-236 Baffle Set - Bare Metal with Black Seal
PA28236-PCBK	PA-28-236 Baffle Set - Powder Coated with Black Seal
SEALKIT-PA28236-BK	PA-28-236 Black Seal Kit

**FAA PMA ENGINE Baffles for Piper Aircraft
 Piper PA-30 (1963-1968)**



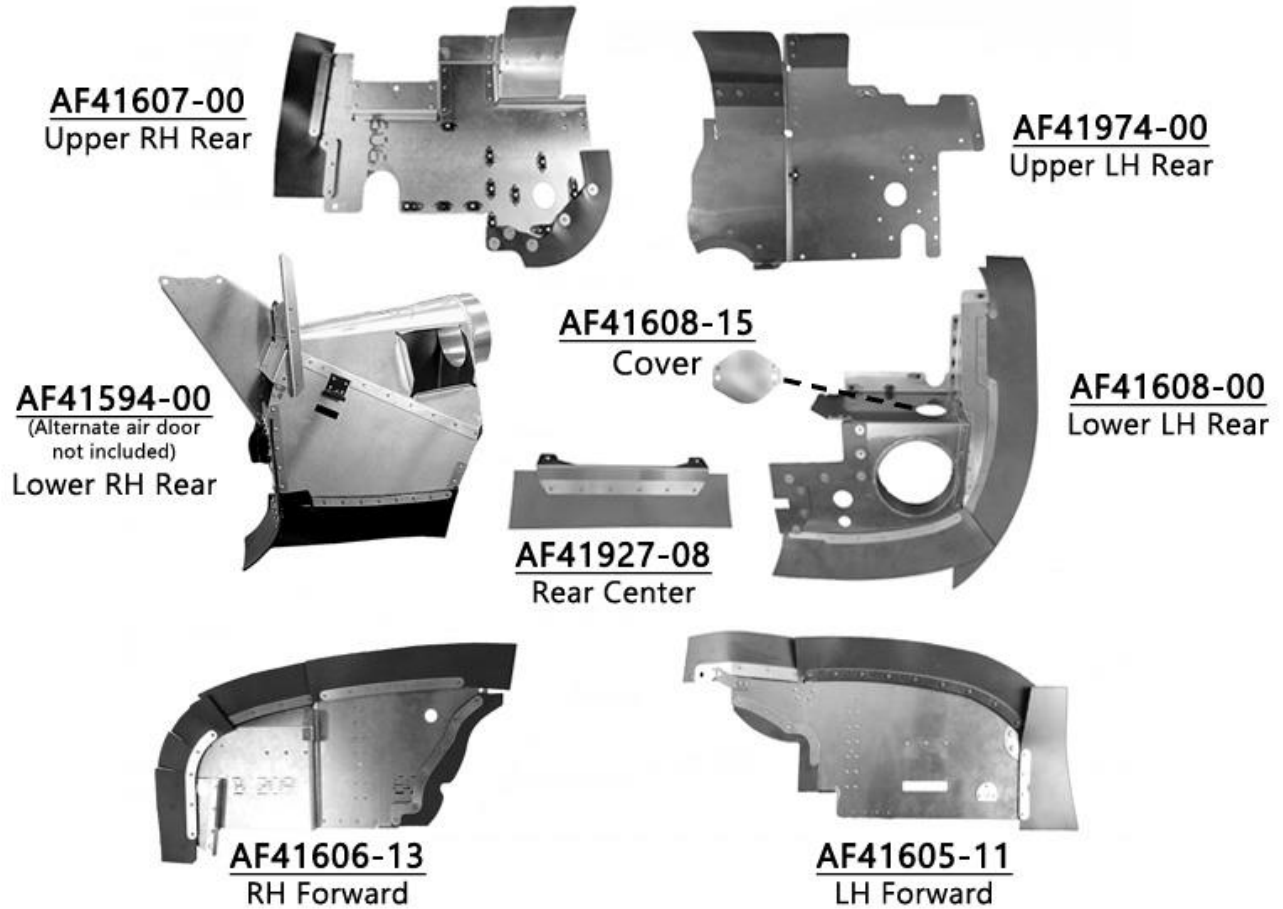
ELIGIBILITY: (1963-68) S/N 30-542 thru 30-1744, excluding 1717	
Orange and blue seals are available at an additional cost	
Kit Part Number	Description
PA30-BRBK	PA-30 (63-68) Baffle Set - Bare Metal with Black Seal
PA30-PCBK	PA-30 (63-68) Baffle Set - Powder Coated with Black Seal
SEALKIT-PA3039-BK	PA-30 (63-69) & PA-39 (70-72) Black Seal Kit

**FAA PMA ENGINE BAFFLES FOR PIPER AIRCRAFT
 PIPER PA-30 (1969)**



ELIGIBILITY: (1969) S/N 30-1745 thru 30-2000	
Orange and blue seals are available at an additional cost	
Kit Part Number	Description
PA30-69-BRBK	PA-30 (69) Baffle Set - Bare Metal with Black Seal
PA30-69-PCBK	PA-30 (69) Baffle Set - Powder Coated with Black Seal
SEALKIT-PA3039-BK	PA-30 (63-69) & PA-39 (70-72) Black Seal Kit

**FAA PMA ENGINE BAFFLES FOR PIPER AIRCRAFT
 PIPER PA-31-310**

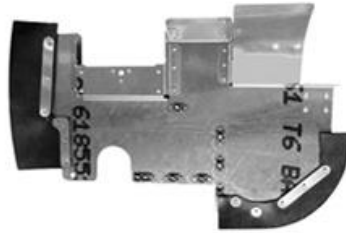


Note: Includes AMOC with AD 93-23-13 for baffle seal material.

ELIGIBILITY: S/N 31-2 thru 31-822031	
Orange and blue seals are available at an additional cost	
Kit Part Number	Description
PA31310-BRBK	PA-31-310 Baffle Set - Bare Metal with Black Seal
PA31310-PCBK	PA-31-310 Baffle Set - Powder Coated with Black Seal
SEALKIT-PA31310-BK	PA-31-310 Black Seal Kit

**FAA PMA ENGINE BAFFLES FOR PIPER AIRCRAFT
 PIPER PA-31-325**

AF41607-13
 Upper RH Rear



AF54172-00
 Upper LH Rear
 Currently in the Approval
 Process, as of 4/5/2024

AF41594-02
 Lower RH Rear



AF52777-02
 Lower LH Rear



AF41927-08
 Rear Center



AF41606-13
 RH Forward



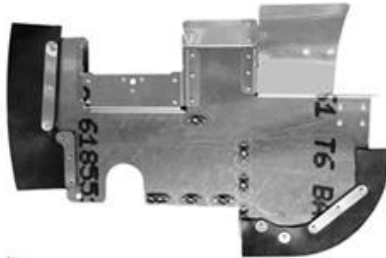
AF41605-11
 LH Forward

Note: Includes AMOC with AD 93-23-13 for baffle seal material.

Eligibility: PA-31-325 NAVAJO S/N 31-7512001 thru 31-8312019	
Orange and blue seals are available at an additional cost	
Kit Part Number	Description
PA31325-BRBK	PA-31-325 Baffle Set - Bare Metal with Black Seal
PA31325-PCBK	PA-31-325 Baffle Set - Powder Coated with Black Seal
SEALKIT-PA31325350-BK	PA-31-325/350 Black Seal Kit

**FAA PMA ENGINE BAFFLES FOR PIPER AIRCRAFT
 PIPER PA-31-350**

AF41607-13
 Upper RH Rear



AF41974-07
 Upper LH Rear



AF41594-02
 Lower RH Rear



AF52777-02
 Lower LH Rear



AF41927-08
 Rear Center



AF41606-13
 RH Forward



AF41605-11
 LH Forward



Note: Includes AMOC with AD 93-23-13 for baffle seal material.

Eligibility: PA-31-350 CHIEFTIAN S/N 31-7305001 thru 31-8553002	
Orange and blue seals are available at an additional cost	
Kit Part Number	Description
PA31350-BRBK	PA-31-350 Baffle Set - Bare Metal with Black Seal
PA31350-PCBK	PA-31-350 Baffle Set - Powder Coated with Black Seal
SEALKIT-PA31325350-BK	PA-31-325/350 Black Seal Kit

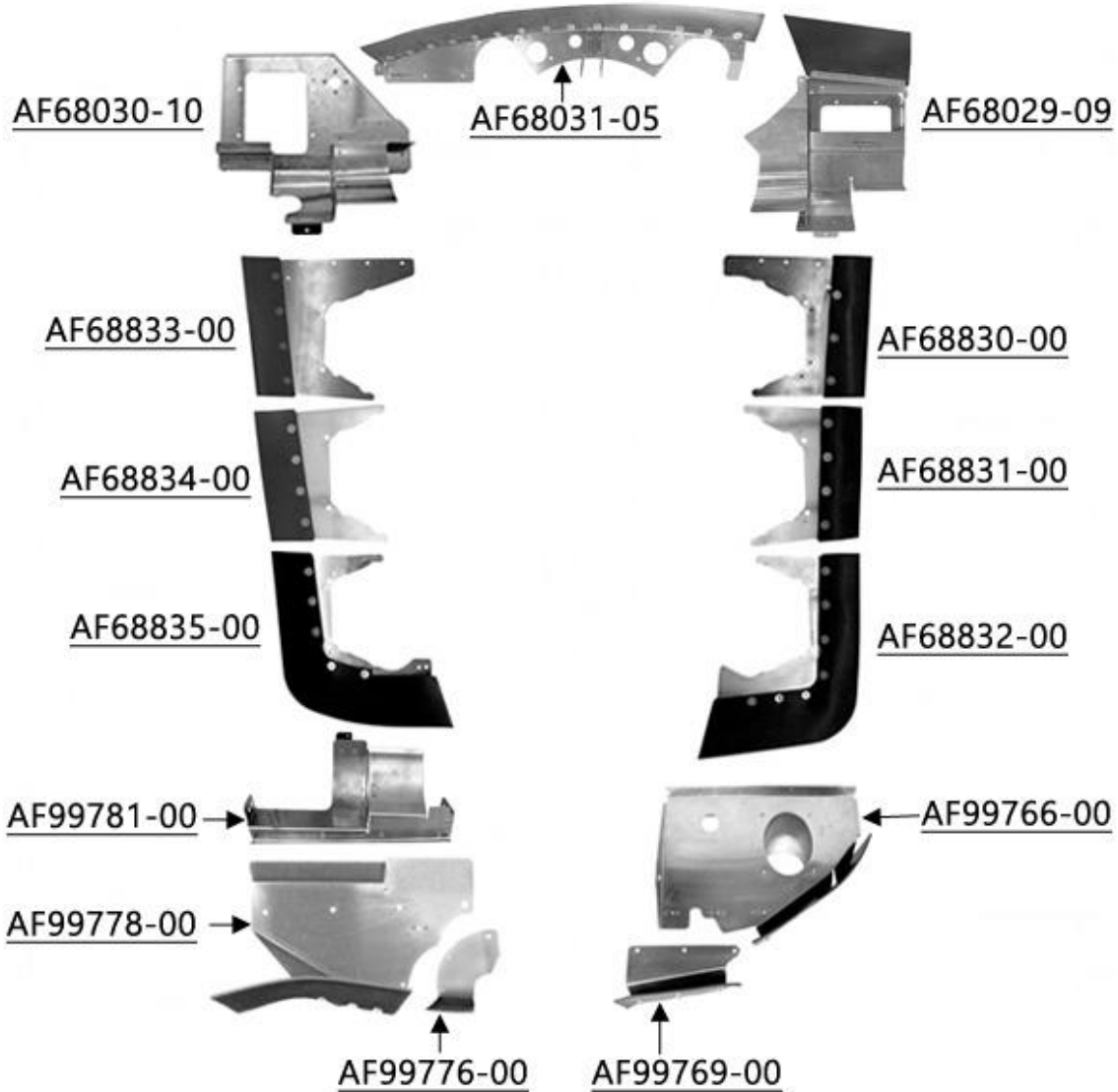
**FAA PMA ENGINE BAFFLES FOR PIPER AIRCRAFT
 PIPER PA-32-260 (1965-1978)**

See RH Rear Baffle Options



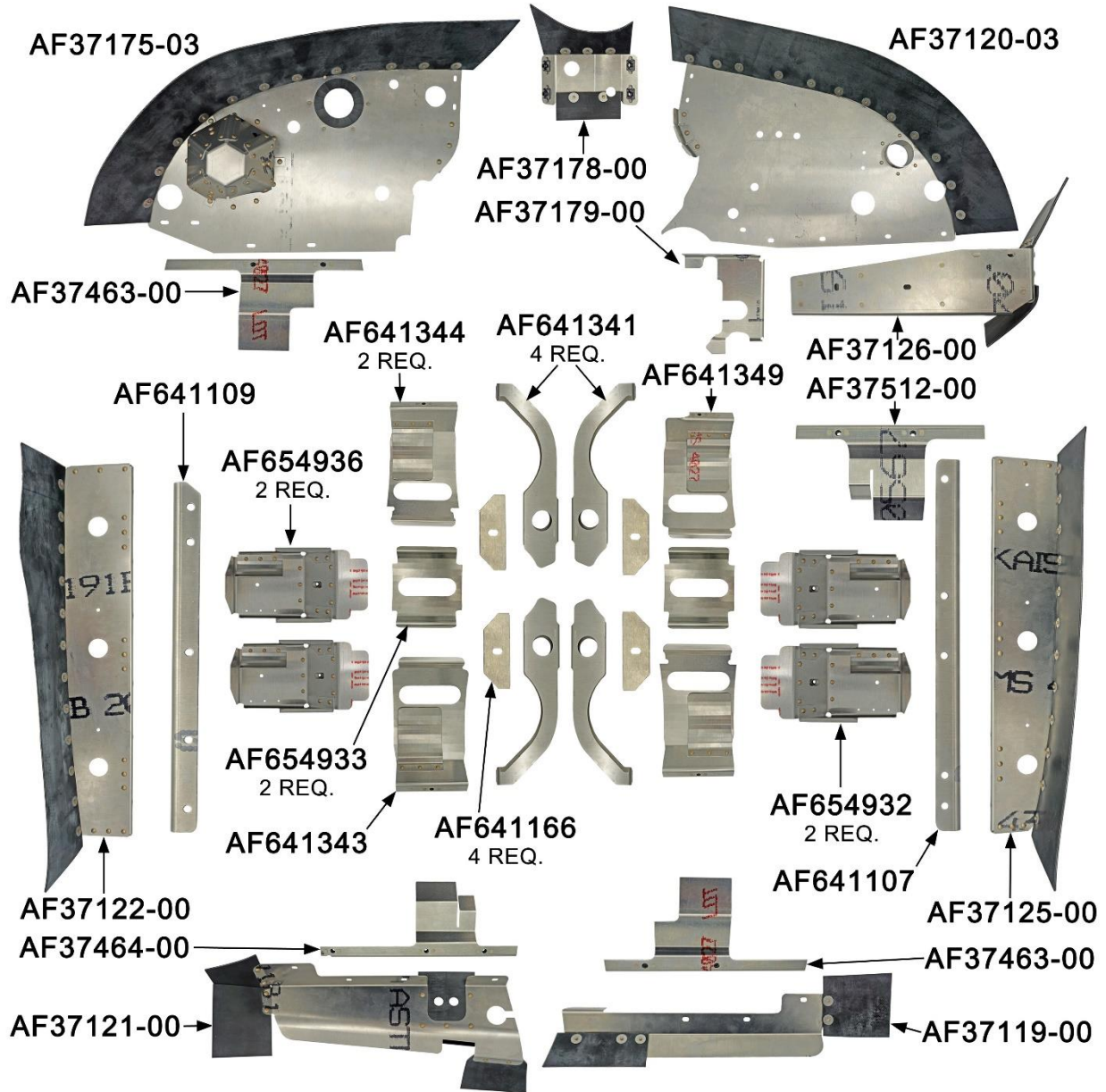
Eligibility: (1965-78) S/N 32-1 & on	
Orange and blue seals are available at an additional cost	
Kit Part Number	Description
PA32260-6568.5BRBK	PA-32-260 (65-68.5) Baffle Set - Bare Metal with Black Seal
PA32260-6568.5PCBK	PA-32-260 (65-68.5) Baffle Set - Powder Coated with Black Seal
Eligibility: (1968.5-78) S/N 32-1034 & on	
Kit Part Number	Description
PA32260-68.578BRBK	PA-32-260 (68.5-78) Baffle Set - Bare Metal with Black Seal
PA32260-68.578PCBK	PA-32-260 (68.5-78) Baffle Set - Powder Coated with Black Seal
Seal Kit Part Number	Description
SEALKIT-PA32260-BK	PA-32-260 (65-78) Black Seal Kit

**FAA PMA ENGINE BAFFLES FOR PIPER AIRCRAFT
 PIPER PA-32-300 (1973-1979)**



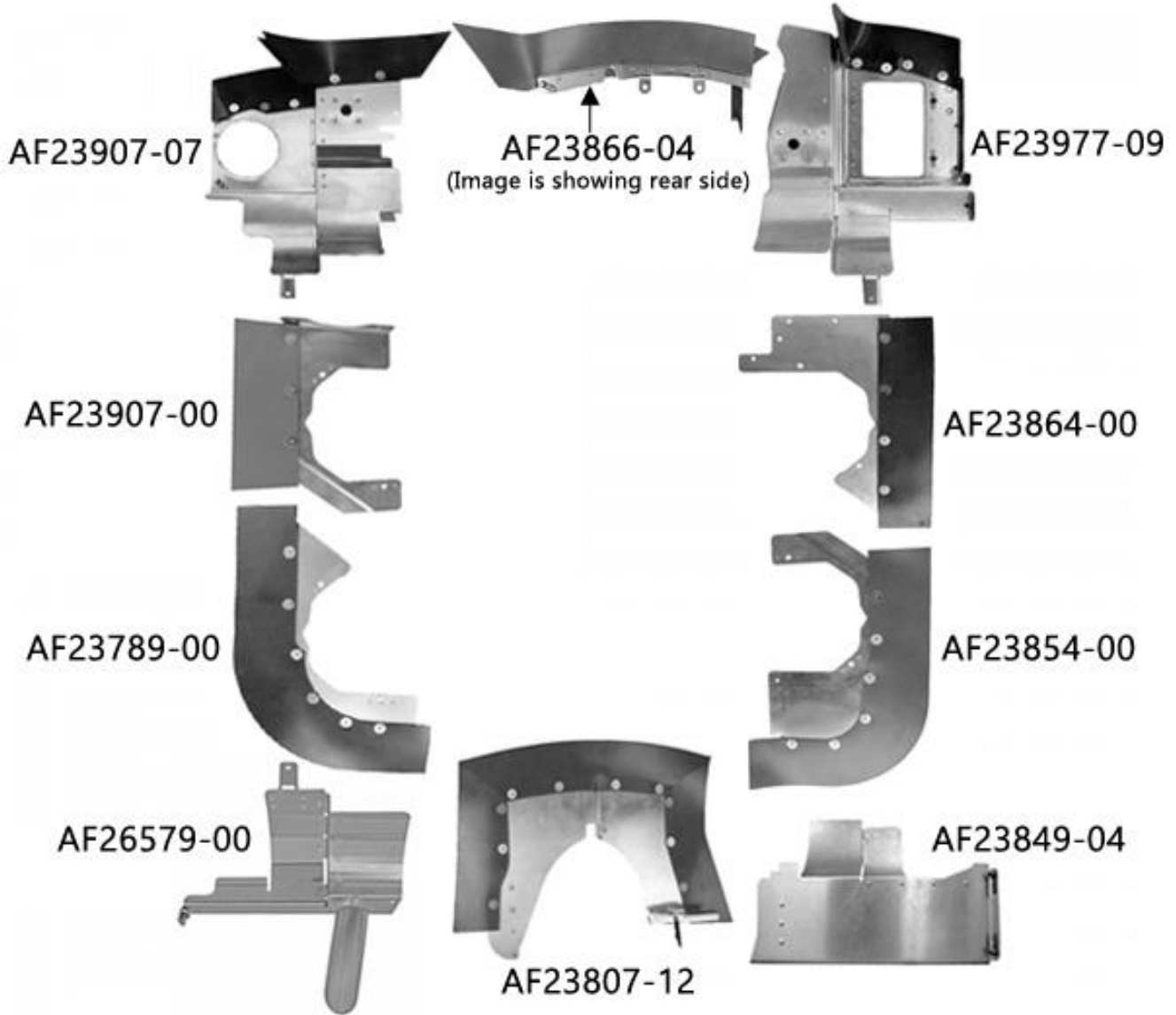
ELIGIBILITY: (1973-79) S/N 32-7240056 thru 32-7940290	
Orange and blue seals are available at an additional cost	
Kit Part Number	Description
PA32300-BRBK	PA-32-300 (73-79) Baffle Set - Bare Metal with Black Seal
PA32300-PCBK	PA-32-300 (73-79) Baffle Set - Powder Coated with Black Seal
SEALKIT-PA32300-BK	PA-32-300 (73-79) Black Seal Kit

**FAA PMA ENGINE Baffles for PIPER Aircraft
 PIPER PA-34-200T (1979-81)**



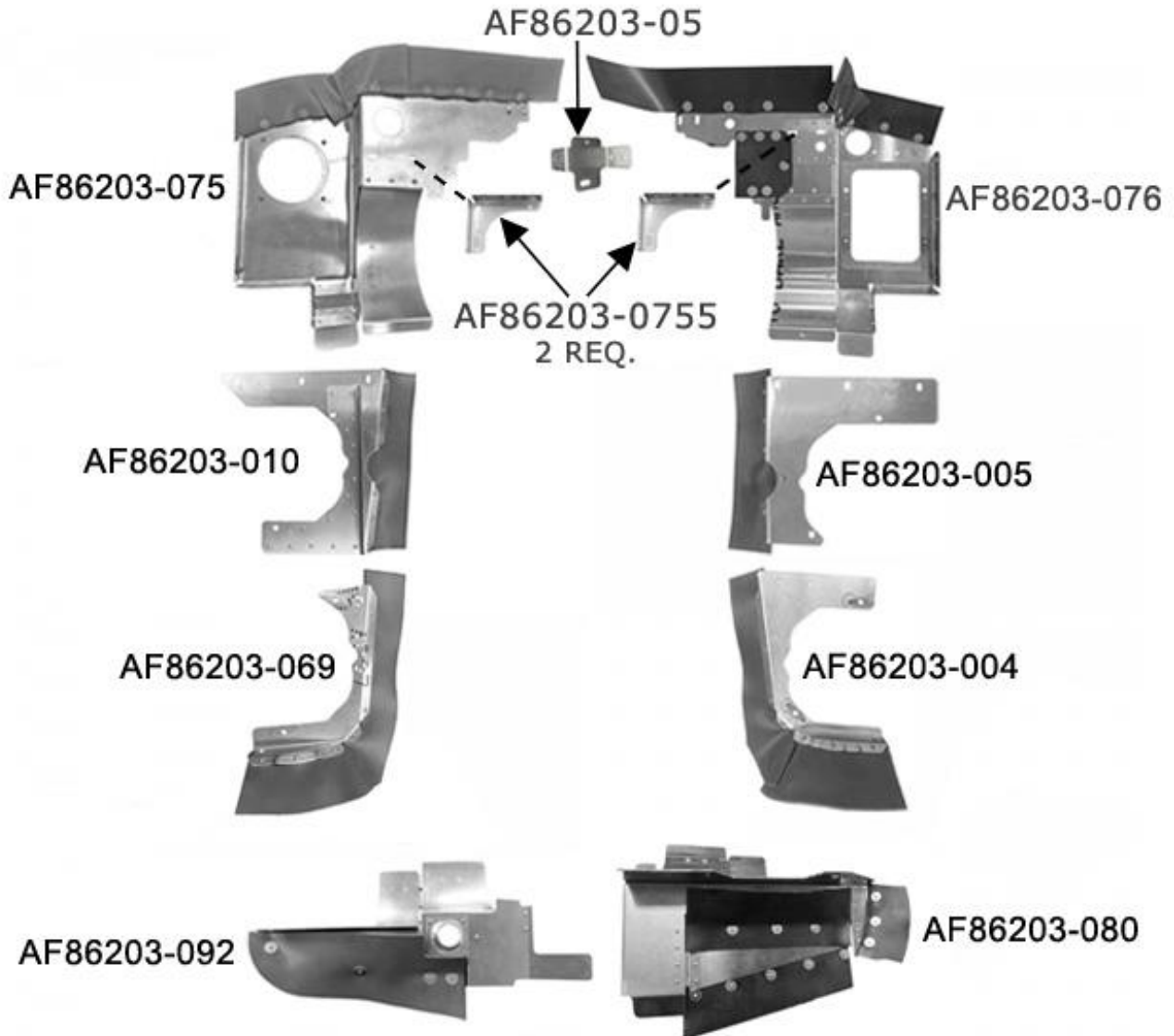
ELIGIBILITY: (1979-81) S/N 34-7970001 thru 34-8170085	
Orange and blue seals are available at an additional cost	
Kit Part Number	Description
PA34200T-BRBK	PA-34-200T (79-81) Baffle Set - Bare Metal with Black Seal
PA34200T-PCBK	PA-34-200T (79-81) Baffle Set - Powder Coated with Black Seal
SEALKIT-PA34200T-BK	PA-34-200T (79-81) Black Seal Kit

**FAA PMA ENGINE Baffles for Piper Aircraft
 Piper PA-39 (1970-1972)**



ELIGIBILITY: (1970-72) S/N 39-1 thru 39-155	
Orange and blue seals are available at an additional cost	
Kit Part Number	Description
PA39-BRBK	PA-39 (70-72) Baffle Set - Bare Metal with Black Seal
PA39-PCBK	PA-39 (70-72) Baffle Set - Powder Coated with Black Seal
SEALKIT-PA3039-BK	PA-30 (63-69) & PA-39 (70-72) Black Seal Kit

**FAA PMA ENGINE BAFFLES FOR PIPER AIRCRAFT
 PIPER PA-44-180**



ELIGIBILITY: PA-44 S/N 44-7995001 & on	
Orange and blue seals are available at an additional cost	
Kit Part Number	Description
PA44180-BRBK	PA-44-180 Baffle Set - Bare Metal with Black Seal
PA44180-PCBK	PA-44-180 Baffle Set - Powder Coated with Black Seal
SEALKIT-PA44180-BK	PA-44-180 Black Seal Kit